



Lamar Consolidated Independent School District
Board of Trustees
Thursday, November 21, 2013
7:00 PM

Julie Thompson, President • Rhonda Zacharias, Vice President • Frank Torres, Secretary
Kay Danziger • Anna Gonzales • Dar Hakimzadeh • Kathryn Kaminski

**LAMAR CISD BOARD OF TRUSTEES
REGULAR BOARD MEETING
BRAZOS CROSSING ADMINISTRATION BUILDING
3911 AVENUE I, ROSENBERG, TEXAS
NOVEMBER 21, 2013
7:00 PM**

AGENDA

1. Call to order and establishment of a quorum
2. Opening of meeting
3. Recognitions/awards
4. Audience to patrons
5. Approval of minutes
 - A. October 15, 2013 Special Meeting (Workshop) 6
 - B. October 17, 2013 - Regular Board Meeting 9
 - C. October 29, 2013 Special Meeting (Workshop) 16
6. Board members reports
 - A. Meetings and events
7. Superintendent reports
 - A. Meetings and events
 - B. Information for immediate attention
 - C. Introductions
8. **ACTION ITEMS**
 - A. **Goal: Instructional**
 1. Consider approval of District Instructional Materials adoption committee 18
 - B. **Goal: Planning**
 1. Consider approval of budget amendment requests 20
 2. Consider ratification of Financial and Investment Reports 22
 3. Consider approval of donations to the district, including, but not limited to: 26
 - a. Briscoe Junior High School
 - b. Hubenak Elementary School
 - c. Hutchison Elementary School
 - d. Meyer Elementary School
 - e. Polly Ryon Middle School
 4. Casting of votes for Fort Bend Central Appraisal District Board of Directors 27
 5. Discussion and action on Seguin Early Childhood Center Transportation 32
 6. Consider approval of district security and fire alarm monitoring and service 34
 7. Consider approval of purchase of technology vehicles 37

8. Consider approval of elevator maintenance and inspection	39
9. Consider approval of CenterPoint terms and conditions for the new Lamar Consolidated High Baseball/Softball complex	42
10. Consider approval of professional surveying services for Travis Elementary	63
11. Consider approval of professional surveying services for the Alternative Learning Center	67
12. Consider approval of deductive change order #1 and final payment for the new Judge James C. Adolphus Elementary, the new Polly Ryon Middle School, and the George Ranch High School shell space	71
13. Consider approval of Geotechnical services for the design of the summer 2014 renovation projects	76
14. Consider approval of easement at Cora Thomas Elementary School	83
15. Discussion and action on advertising in Lamar Consolidated Independent School District	89
16. Discussion and action on adding additional Board Members' signatures to high school diplomas	91
C. Goal: Personnel	
1. Consider approval of New PDAS Appraisers for Teaching Staff, 2013-2014 school year	95
D. Goal: Technology	
1. Consider approval of purchase of network switches	96
2. Consider approval of purchase of MARC Authority Full Processing Services	98
9. INFORMATION ITEMS	
A. Goal: Instructional	
1. College Readiness Testing Report, 2012- 2013	105
2. 2013 Highly Qualified Teacher Report	113
B. Goal: Planning	
1. Parent Involvement Update	115
2. Tax Collection Report	116
3. Payments for Construction Projects	122
4. Region 4 Maintenance and Operations Update	124
5. Bond Update	128
6. Contract for mail processing system equipment	132
10. CLOSED SESSION	
A. Adjournment to closed session pursuant to Texas Government Code Sections 551.071, 551.072, 551.074, and 551.082, the Open Meetings Act, for the following purposes: (Time_____)	
1. Section 551.074 - For the purpose of considering the appointment, employment, evaluation, reassignment, duties, discipline or dismissal of a public officer or employee or to hear complaints or charges against a public	133

- officer or employee.
- a. Approval of personnel recommendations or employment of professional personnel 134
- b. Employment of professional personnel (Information) 137
- c. Employee resignations and retirements 139
- 2. Section 551.072 - For the purpose of discussing the purchase, exchange, lease or value of real property
 - a. Land
- 3. Section 551.071 - To meet with the District's attorney to discuss matters in which the duty of the attorney to the District under the Texas Disciplinary Rules of Professional Conduct of the State Bar of Texas clearly conflicts with the Open Meetings Act, including the grievance/complaint hearing.
 - a. Any item listed on the agenda
 - b. Discuss pending, threatened, or potential litigation, including school finance litigation

RECONVENE IN OPEN SESSION

**Action on Closed Session Items
Future Agenda Items**

ADJOURNMENT: (Time _____)

If during the course of the meeting covered by this notice, the Board should determine that a closed session of the Board should be held or is required in relation to an item noticed in this meeting, then such closed session as authorized by Section 551.001 et seq. of the Texas Government Code (the Open Meetings Act) will be held by the Board at that date, hour or place given in this notice or as soon after the commencement of the meeting covered by this notice as the Board may conveniently meet in such closed session concerning any and all subjects and for any and all purposes permitted by Section 551.071-551.084, inclusive, of the Open Meetings Act, including, but not limited to:

Section 551.084 - For the purpose of excluding witness or witnesses from a hearing during examination of another witness.

Section 551.071 - For the purpose of a private consultation with the Board's attorney on any or all subjects or matters authorized by law.

Section 551.072 - For the purpose of discussing the purchase, exchange, lease or value of real property.

Section 551.073 - For the purpose of considering a negotiated contract for a prospective gift or donation.

Section 551.074 - For the purpose of considering the appointment, employment, evaluation, reassignment, duties, discipline or dismissal of a public officer or employee or to hear complaints or charges against a public officer or employee.

Section 551.082 - For the purpose of considering discipline of a public school child or children or to hear a complaint by an employee against another employee if the complaint or charge directly results in a need for a hearing.

Section 551.076 - To consider the deployment, or specific occasions for implementation, of security personnel or devices.

Section 551.083 - For the purpose of considering the standards, guidelines, terms or conditions the Board will follow, or instruct its representatives to follow, in consultation with representatives of employee groups in connection with consultation agreements provided for by Section 13.901 of the Texas Education Code.

Section 551.0821 – For the purpose of deliberating a matter regarding a public school student if personally identifiable information about the student will necessarily be revealed by the deliberation.

Should any final action, final decision or final vote be required in the opinion of the Board with regard to any matter considered in such closed session, then such final action, final decision or final vote shall be at either:

- a. the open meeting covered by this notice upon the reconvening of this public meeting, or
- b. at a subsequent public meeting of the Board upon notice thereof, as the Board may determine.

CERTIFICATE AS TO POSTING OR GIVING OF NOTICE

On this 15th day of November 2013 at 3:00 p.m., this notice was posted on a bulletin board located at a place convenient to the public in the central administrative offices of the Lamar Consolidated Independent School District, 3911 Avenue I, Rosenberg, Texas 77471, and in a place readily accessible to the general public at all times.



Karen Vacek
Secretary to Superintendent

Special Meeting

Be It Remembered

The State of Texas §
County of Fort Bend §
Lamar Consolidated Independent School District §

Notice of Special Meeting Held

On this the 15th day of October 2013, the Board of Trustees of the Lamar Consolidated Independent School District of Fort Bend County, Texas met in Special Session (Workshop) in Rosenberg, Fort Bend County, Texas.

1. CALL TO ORDER AND ESTABLISHMENT OF A QUORUM

This meeting was duly called to order by the President of the Board of Trustees, Julie Thompson, at 6:30 p.m.

Members Present:

Julie Thompson	President
Rhonda Zacharias	Vice President
Frank Torres	Secretary
Kay Danziger	Member
Anna Gonzales	Member
Dar Hakimzadeh	Member
Kathryn Kaminski	Member

Others Present:

Thomas Randle	Superintendent
Kevin McKeever	Administrator for Operations
Jill Ludwig	Chief Financial Officer
Laura Lyons	Executive Director of Elementary Education
Walter Bevers	Executive Director of Secondary Education
Kathleen Bowen	Executive Director of Human Resources
Mike Rockwood	Executive Director of Community Relations
David Jacobson	Chief Technology Information Officer

BUSINESS TRANSACTED

Business properly coming before the Board was transacted as follows: to witness—

2. Discussion of October 17th Regular Board Meeting Agenda Items

The Board reviewed the October 17th Regular Board Meeting agenda items.

9. ACTION ITEMS

9. B GOAL: PLANNING

9. B-7 Consider Approval of Memorandum of Understanding with William Smith, Sr., Tri-County Child Development Council, Inc. and Fort Bend County

Ms. Kaminski questioned the collaboration between LCISD and Head Start and why it was necessary to provide four office spaces. Tonya Garza, Director of the Seguin Early Childhood Center, explained the office spaces are utilized by the director, assistant director, a social worker, parent training, and computer data entry for Head Start. The four classrooms are for teachers in collaboration with LCISD and Head Start. Ms. Kaminski questioned the number of students on campus. Ms. Garza stated that 413 were Seguin students with 134 in collaboration with LCISD and Head Start.

9. B-8 Discussion and Action on Seguin Early Childhood Center Transportation

Tonya Garza, Director of the Seguin Early Childhood Center, gave a presentation. Ms. Kaminski questioned why the students are not kept at their home schools instead of being transported to Seguin. Dr. Randle replied that the goal was to provide a full day of instruction for the students who need more instruction.

9. B-9 Consider Approval of Memorandum of Understanding between DePelchin Children's Center and Lamar Consolidated Independent School District

Mr. Hakimzadeh asked for information on the DePelchin Program and asked about the pros and cons of the program. Jennifer Roberts, Director of Student Support Services, provided information on the program.

9. B-13 Consider Approval of CSP# 26-2013 for the new District Natatorium

Mr. Hakimzadeh asked for an explanation of why the amount is so much less than the amount presented at the meeting last month. Mr. Ed Bailey, representative of Gilbane, stated that the total project amount is \$13,014,256. The \$10,694,000 does not include everything. Mr. Hakimzadeh asked for an explanation of the "alternates" in the proposal. Mr. Bailey explained that the District has a policy to ask for alternate bids as it relates to air conditioning controls. In the specifications, a list of alternate suppliers is provided. The district considers the bids and then determines what is best for the district. Mr. Bailey will furnish the Board with a list of items that are not a component of this project.

ADJOURNMENT TO CLOSED SESSION PURSUANT TO TEXAS GOVERNMENT CODE SECTIONS 551.071, 551.072, 551.074, AND 551.082, THE OPEN MEETINGS ACT, FOR THE FOLLOWING PURPOSES:

1. Section 551.074 – For the purpose of considering the appointment, employment, evaluation, reassignment, duties, discipline or dismissal of a public officer or employee or to hear complaints or charges against a public officer or employee.

Minutes of the Special Board Meeting of October 15, 2013 – page 39

- a. Approval of personnel recommendations or employment of professional personnel
 - b. Employment of professional personnel (Information)
 - c. Employee resignations and retirements
2. Section 551.072 – For the purpose of discussing the purchase, exchange, lease or value of real property
 - a. Land acquisition
 3. Section 551.071 – To meet with the District’s attorney to discuss matters in which the duty of the attorney to the District under the Texas Disciplinary Rules of Professional Conduct of the State Bar of Texas clearly conflicts with the Open Meetings Act, including the grievance/complaint hearing.
 - a. Any item listed on the agenda
 - b. Discuss pending, threatened, or potential litigation, including school finance litigation

The Board did not adjourn to Closed Session.

RECONVENE IN OPEN SESSION

Action on Closed Session

ADJOURNMENT

The meeting adjourned at 7:15 p.m.

LAMAR CONSOLIDATED INDEPENDENT SCHOOL DISTRICT

Signed:

Julie Thompson
President of the Board of Trustees

Frank Torres
Secretary of the Board of Trustees

Regular Meeting

Be It Remembered

The State of Texas §
County of Fort Bend §
Lamar Consolidated Independent School District §

Notice of Regular Meeting Held

On this the 17th day of October, 2013 the Board of Trustees of the Lamar Consolidated Independent School District of Fort Bend County, Texas met in Regular Session in Rosenberg, Fort Bend County, Texas.

1. CALL TO ORDER AND ESTABLISHMENT OF A QUORUM

This meeting was duly called to order by the President of the Board of Trustees, Julie Thompson, at 7:02 p.m.

Members Present:

Julie Thompson	President
Rhonda Zacharias	Vice President
Kay Danziger	Member
Dar Hakimzadeh	Member
Kathryn Kaminski	Member

Members Absent:

Frank Torres	Secretary
Anna Gonzales	Member

Others Present:

Thomas Randle	Superintendent
Kevin McKeever	Administrator for Operations
Jill Ludwig	Chief Financial Officer
Laura Lyons	Executive Director of Elementary Education
Walter Bevers	Executive Director of Secondary Education
Kathleen Bowen	Executive Director of Human Resources
Mike Rockwood	Executive Director of Community Relations
David Jacobson	Chief Technology Information Officer
Rick Morris	Attorney

BUSINESS TRANSACTED

Business properly coming before the Board was transacted as follows: to witness—

2. OPENING OF MEETING

The prayer was led by Dr. Bevers and the pledge of allegiance was recited.

3. RECOGNITIONS/AWARDS

None

4. AUDIENCE TO PATRONS

Karen Mendoza addressed the Board regarding concerns that some, if not all, Lamar CISD's schools have not practiced a lockdown procedure. According to Ms. Mendoza some LCISD staff has stated they do not know what to do in case of a lockdown. The Texas Education Agency and the Texas School Safety Center are renewing their annual partnership for the 2013 Texas Safe Schools Week, October 20 – October 26, 2013. Ms. Mendoza recommended that the district contact Sgt. Pino, School Resource Officer with the Rosenberg Police Department, to schedule dates and times so Lamar CISD campuses can practice lockdown at least twice a year.

5. APPROVAL OF MINUTES OF SEPTEMBER 17, 2013 SPECIAL BOARD MEETING (WORKSHOP) AND SEPTEMBER 19, 2013 REGULAR BOARD MEETING

It was moved by Ms. Zacharias and seconded by Ms. Danziger that the Board of Trustees approve the minutes of the September 17, 2013 Special Board Meeting (Workshop) and September 19, 2013 Regular Board Meeting. The motion carried unanimously.

6. BOARD MEMBER REPORTS

a. Meetings and Events

Ms. Zacharias reported the Finance Committee met briefly and discussed bond management. The District is saving approximately \$600,000 annually over the life of the bond. The management company will give a report at next month's meeting.

The Technology Committee met and discussed the Phase II PC refresh. Information is provided in the agenda.

Ms. Danziger and Ms. Gonzales attended the McNeill Elementary National Honor Society and it was a very good ceremony.

Ms. Thompson reported the Facilities Committee met briefly, discussing the 2011 Bond Project updates and current board agenda items.

7. SUPERINTENDENT REPORTS

□ Meetings and Events

□ Information for Immediate Attention

□ Introductions

Dr. Bowen introduced Dr. Fred Black, associate principal, George Ranch High School.

8. PUBLIC HEARING ON FINANCIAL INTEGRITY RATING SYSTEM OF TEXAS (FIRST) FOR FISCAL YEAR 2011—2012

The hearing was opened at 7:11 p.m. Jill Ludwig, Chief Financial Officer, gave a brief overview on the Financial Integrity Rating System of Texas for fiscal year 2011—2012. There being no discussion, the hearing was closed to the public at 7:22 p.m.

9. ACTION ITEMS

9. B GOAL: PLANNING

9. B-8 Discussion and Action on Sequin Early Childhood Center Transportation

This item was pulled from the agenda and will be placed on the November agenda.

ACTION ITEMS FOR CONSENT OF APPROVAL: 9. A-1—9. A-4, 9. B-1—9. B-4, 9. B-6—9. B-7, 9. B-9—9. B-12, 9. B-14, 9. C-1—9. C-2, 9. D-1 and 9. E-1

It was moved by Ms. Zacharias and seconded by Ms. Kaminski that the Board of Trustees approve these action items as presented. The motion carried unanimously.

9. A GOAL: INSTRUCTIONAL

9. A-1 Approval of 2013—2014 District Improvement Plan and Campus Improvement Plans

approved the 2013—2014 District Improvement Plan and Campus Improvement Plans.

9. A-2 Approval of Classroom Space Rental for 1621 Place

approved to extend the lease agreement for classroom space rental for 1621 Place with Mellon Real Estate, Inc. (See inserted page 42-A.)

9. A-3 Approval of the 2013—2014 Service Provider Agreement with Fort Bend Regional Council on Substance Abuse

approved the Service Provider Agreement between the Fort Bend Regional Council on Substance Abuse and Lamar Consolidated Independent School District for campus programming during the 2013 – 2014 school year. (See inserted pages 42-B—42-D.)

9. A-4 Approval of Out-of-State Trip Requests, including, but not limited to:

a. George Ranch High School

approved out-of-state travel for the George Ranch High School Theatre to travel to New York City, New York on June 7-10, 2014.

b. Lamar Consolidated High School

approved out-of-state travel for Lamar Consolidated High School Speech and Debate Team to attend the Harvard Speech and Debate Tournament in Cambridge, Massachusetts on February 14-17, 2014.

9. B GOAL: PLANNING

9. B-1 Approval of Budget Amendment Requests

approved budget amendment requests as attached. (See inserted pages 43-A—43-C.)

9. B-2 Consider Ratification of Financial and Investment Reports

ratified the financial and investment reports as presented.

9. B-3 Consider Acceptance of Certificate of Excellence in Financial Reporting

reviewed and accepted the District's Certificate of Excellence in Financial Reporting Award for its Comprehensive Annual Financial Report for the fiscal year ending August 31, 2012 (school year 2011-12).

9. B-4 Order Authorizing the Issuance of Lamar Consolidated Independent School District Unlimited Tax Refunding Bonds, Series 2013A and Setting Certain Parameters Therefor

approved the Order Authorizing the Issuance of Lamar Consolidated Independent School District Unlimited Tax Refunding Bond, Series 2013A. (See inserted pages 43-D—43-E.)

9. B-6 Approval of Donations to the District, including, but not limited to:

a. Hubenak Elementary School

approved donations to the district.

9. B-7 Approval of Memorandum of Understanding with William Smith, Sr., Tri-County Child Development Council, Inc. and Fort Bend County

approved the Memorandum of Understanding between Lamar Consolidated Independent School District, William Smith, Sr., Tri-County Child Development Council, Inc. and Fort Bend County. (See inserted page 43-F.)

9. B-9 Approval of Memorandum of Understanding between DePelchin Children's Center and Lamar Consolidated Independent School District

approved the Memorandum of Understanding between DePelchin Children's Center and Lamar Consolidated Independent School District to implement the STAR (Services To At-Risk) program through counselor and social worker referrals. (See inserted page 43-G.)

9. B-10 Approval of Resolution proclaiming:

a. Parent Involvement Week

approved the attached resolution proclaiming November 18-22, 2013 as “Parent Involvement Week” in the Lamar Consolidated Independent School District. (See inserted page 44-A.)

9. B-11 Approval of Procurement Method for the new Arredondo Elementary School and the 2014 Summer Renovation Projects

authorized the administration to utilize competitive sealed proposals as the construction method of procurement with the evaluation criteria for the new Arredondo Elementary School and the 2014 summer renovation projects.

9. B-12 Approval of Procurement Method for the new Churchill Fulshear Junior High School, new Dean Leaman Junior High School and the Transportation Satellite Phase 2

authorized the administration to utilize construction manager at-risk as the construction method of procurement with the evaluation criteria for the new Churchill Fulshear, Jr. High School, the new Dean Leaman Junior High School, and the Transportation Satellite Phase 2.

9. B-14 Approval of Blanket Easement for the new Lamar Consolidated High School Baseball/Softball Complex

approved the CenterPoint Energy blanket easement for the new Lamar Consolidated High School Baseball/Softball Complex. (See inserted pages 44-B—44-K.)

9. C GOAL: SAFE, DRUG-FREE AND DISCIPLINED SCHOOLS

9. C-1 Approval of Interlocal Agreement with Region 4 Education Service Center for Renewal of Safe Schools Project

approved the renewal of the District’s Interlocal Agreement with Region 4 Education Service Center in the amount of \$10,335.50 effective from November 1, 2013 through October 31, 2014. (See inserted pages 44-L—44-N.)

9. C-2 Approval of Interlocal Agreement with Fort Bend County for Radio System Use

approved the Interlocal Agreement with Fort Bend County to access the County’s Public Safety Radio System. (See inserted pages 44-O—44-T.)

9. D GOAL: PERSONNEL

9. D-1 Approval of New PDAS Appraiser for Teaching Staff, 2013 – 2014 School Year

approved the 2013—2014 Professional Development Appraisal System (PDAS) appraiser(s) who have recently become certified or are new to Lamar Consolidated Independent School District.

9. E GOAL: TECHNOLOGY

9. E-1 Approval of Contracted Services for Computer Refresh Planning and Project Management

approved Go IT Services, Inc. for professional services relating to project planning in the amount of \$65.00 per hour, not to exceed \$5,200 and authorized the superintendent to negotiate the final contract.

9. B GOAL: PLANNING

9. B-5 Order Authorizing the Issuance of Lamar Consolidated Independent School District Unlimited Tax Refunding Bond, Series 2013B and Setting Certain Parameters Therefor

It was moved by Ms. Zacharias and seconded by Ms. Kaminski that the Board of Trustees authorize the issuance of Lamar Consolidated Independent School District Unlimited Tax Refunding Bond, Series 2013B and allow for a public sale or private placement. The motion carried unanimously. (See inserted pages 45-A—45-B.)

9. B-13 Approval of CSP# 26-2013 for the New District Natatorium

It was moved by Ms. Danziger and seconded by Mr. Hakimzadeh that the Board of Trustees approve Gamma Construction for the new district Natatorium in the amount of \$10,694,000 and amend the budget as necessary. The motion carried unanimously.

10. INFORMATION ITEMS

10. A GOAL: PLANNING

10. A-1 Tax Collection Report

10. A-2 Energy Management Quarterly Report

10. A-3 Payments for Construction Projects

10. A-4 Region 4 Maintenance and Operations Update

10. A-5 Bond Update

ADJOURNMENT TO CLOSED SESSION PURSUANT TO TEXAS GOVERNMENT CODE SECTIONS 551.071, 551.072, 551.074, AND 551.082, THE OPEN MEETINGS ACT, FOR THE FOLLOWING PURPOSES:

1. Section 551.074 – For the purpose of considering the appointment, employment, evaluation, reassignment, duties, discipline or dismissal of a public officer or employee or to hear complaints or charges against a public officer or employee.
 - a. Approval of personnel recommendations or employment of professional personnel
 - b. Employment of professional personnel (Information)

- c. Employee resignations and retirements
- 2. Section 551.072 – For the purpose of discussing the purchase, exchange, lease or value of real property
 - a. Land acquisition
- 3. Section 551.071 – To meet with the District’s attorney to discuss matters in which the duty of the attorney to the District under the Texas Disciplinary Rules of Professional Conduct of the State Bar of Texas clearly conflicts with the Open Meetings Act, including the grievance/complaint hearing.
 - a. Any item listed on the agenda
 - b. Discuss pending, threatened, or potential litigation, including school finance litigation

The Board did not convene in Closed Session.

RECONVENE IN OPEN SESSION

Action on Closed Session Items

APPROVAL OF PERSONNEL RECOMMENDATIONS OR EMPLOYMENT OF PROFESSIONAL PERSONNEL

It was moved by Ms. Danziger and seconded by Mr. Hakimzadeh that the Board of Trustees approve personnel as presented with addendum. The motion carried unanimously.

Employed

Drake, Matthew	TBD	Transportation Facilities Manager	Transportation
Croft, Kevin	TBD	Assistant Principal	George Ranch High School

FUTURE AGENDA ITEMS

ADJOURNMENT

The meeting adjourned at 7:39 p.m.

LAMAR CONSOLIDATED INDEPENDENT SCHOOL DISTRICT

Signed:

Julie Thompson
President of the Board of Trustees

Frank Torres
Secretary of the Board of Trustees

Special Meeting

Be It Remembered

The State of Texas §
County of Fort Bend §
Lamar Consolidated Independent School District §

Notice of Special Meeting Held

On this the 29th day of October 2013, the Board of Trustees of the Lamar Consolidated Independent School District of Fort Bend County, Texas met in Special Session (Workshop) in Rosenberg, Fort Bend County, Texas.

1. CALL TO ORDER AND ESTABLISHMENT OF A QUORUM

This meeting was duly called to order by the President of the Board of Trustees, Julie Thompson, at 6:34 p.m.

Members Present:

Julie Thompson	President
Rhonda Zacharias	Vice President
Frank Torres	Secretary
Kay Danziger	Member
Anna Gonzales	Member
Dar Hakimzadeh	Member
Kathryn Kaminski	Member

Others Present:

Thomas Randle	Superintendent
---------------	----------------

BUSINESS TRANSACTED

Business properly coming before the Board was transacted as follows: to witness—

2. ACTION ITEMS

2. A GOAL: PLANNING

2. A-1 Governance Team (Board and Superintendent) Team Building and Self-Assessment

Mr. William P. Nemir, Director of Leadership Team Services for the Texas Association of School Boards (TASB), presented the workshop on team building and self-assessment.

ADJOURNMENT TO CLOSED SESSION PURSUANT TO TEXAS GOVERNMENT CODE SECTIONS 551.071, 551.072, 551.074, AND 551.082, THE OPEN MEETINGS ACT, FOR THE FOLLOWING PURPOSES:

1. Section 551.074 – For the purpose of considering the appointment, employment, evaluation, reassignment, duties, discipline or dismissal of a public officer or employee or to hear complaints or charges against a public officer or employee.
2. Section 551.072 – For the purpose of discussing the purchase, exchange, lease or value of real property.
3. Section 551.071 – To meet with the District’s attorney to discuss matters in which the duty of the attorney to the District under the Texas Disciplinary Rules of Professional Conduct of the State Bar of Texas clearly conflicts with the Open Meetings Act, including the grievance/complaint hearing.

The Board did not convene in Closed Session.

RECONVENE IN OPEN SESSION

Action on Closed Session Items

FUTURE AGENDA ITEMS

ADJOURNMENT

The meeting adjourned at 10:18 p.m.

LAMAR CONSOLIDATED INDEPENDENT SCHOOL DISTRICT

Signed:

Julie Thompson
President of the Board of Trustees

Frank Torres
Secretary of the Board of Trustees

**CONSIDER APPROVAL OF DISTRICT INSTRUCTIONAL MATERIALS
ADOPTION COMMITTEE**

RECOMMENDATION:

That the Board of Trustees approve the District Instructional Materials Adoption Committee members as submitted.

IMPACT/RATIONALE:

School Board Policy EFAA (LOCAL) requires that the board approve a committee made up of one representative from each campus containing grade-levels or subjects for which there are books up for adoption. The committee is to be chaired by the Superintendent of Schools or designee.

This year the district will be adopting the following categories of instructional materials:

Mathematics, Grades K-8	Anatomy and Physiology
Mathematics (Spanish), Grades K-8	Engineering Design and Problem Solving
Science, Grades K-8	Medical Microbiology
Science (Spanish), Grades K-8	Advanced Animal Science
Aquatic Science	Food Science
Biology	Forensic Science
Chemistry	AP Biology
Earth and Space Science	AP Chemistry
Environmental Systems	AP Physics
Integrated Physics and Chemistry	AP Physics B
Physics	AP Environmental Science
Principles of Technology	AP Computer Science I

A sample of all instructional materials being considered by the Instructional Materials Committee will be available for the public's examination at all appropriate campuses.

Subcommittees of teachers and administrators will assist in this adoption so that all teachers throughout the district will have ample opportunities to study the instructional materials being considered for adoption and provide input during the selection process.

Submitted by: Valerie Vogt, Curriculum
Suzanne Welch, Curriculum and Instructional Specialist
Pam Palmer, Curriculum and Instructional Specialist

Recommended for approval:

Thomas Randle

Dr. Thomas Randle
Superintendent

Science Instructional Materials Adoption Committee

Dr. Thomas Randle	Superintendent	Stacie Quarles	Teacher
Valerie Vogt	Curriculum	Deborah Hastedt	Teacher
Suzanne Welch	C & I Specialist	Tyna Vacek	Teacher
Math Specialist	C & I Specialist	Lindsay Vasquez	Teacher
Chad Jones	Technology	Jill Broussard	Teacher
Verna Berry	Administration/AP-Elem.	Margaret Bates	Teacher
Leslie McDowell	Administration/AP-Sec.	Stephanie Hines	Teacher
Liz Sulak	Parent	Sheri Lopez	Teacher
Janie Head	Teacher	Jaime Suttles	Teacher
Vanessa Chaumont	Teacher	Priscilla Leone	Teacher
Sheryl Troutman	Teacher	Christine Nevarez	Teacher
Jon Spiering	Teacher	Tammy Haring	Sci. Facilitator
Kim Floyd	Teacher	Kirah Diaz	Teacher
Casey Chapman	Teacher	Lillian Harrell	Teacher
Rebecca Ainsley	Teacher	Rashana McDaniel	Teacher
Kenneth Fletcher	Teacher	Laura Ehrig	Teacher
Kathy Marriott	Teacher	Lisa Mansour	Teacher
Robin McGill	Teacher	Jeanette Gonzalez	Teacher
Satta Testamark	Teacher	Flor Cepeda	Math Facilitator
Daniel Perez	Teacher	Darcie Startz	Sci. Facilitator
		Ava Dickerson	Math/Sci. Facilitator

Math Instructional Materials Adoption Committee

Michelle Marcheli	Parent	Karen Gisi	Teacher
Keith Merrick	Teacher	Carrie Grigar	Math/Sci. Facilitator
Deborah Kretschmer	Teacher	Brandi Sharber	Math Facilitator
Elizabeth Meyer	Teacher	David Rector	Teacher
Darlene Percenti	Teacher	Kimberly Ethridge	Math Facilitator
Rebecca Yates	Teacher	Kim Guinn	Math Facilitator
Karinda Sowell	Teacher	Kimberly Hamilton	Math/Sci. Facilitator
Tracey Baldwin	Teacher	Melissa Morrison	Math Facilitator
Lynn Shoecraft	Teacher	Carmen Chavero	Teacher
Bess Matthys	Teacher	Cherise Ardoin	Math Facilitator
Jennifer Randlett	Teacher	Flor Cepeda	Math Facilitator
Brenda Garcia	Teacher	Kelly Schlepfforst	Teacher

Dr. Thomas Randle, Valerie Vogt, Suzanne Welch, Math Specialist, Verna Berry, Leslie McDowell, and Chad Jones will serve on the Math Instructional Materials Adoption Committee as well.

CONSIDER APPROVAL OF BUDGET AMENDMENT REQUESTS

RECOMMENDATION:

That the Board of Trustees consider approval of budget amendment requests as attached.

IMPACT/RATIONALE:

The proposed amendments represent budget amendments that require school board approval because budgeted funds are being reallocated between functional categories and/or new budgets are being established.

PROGRAM DESCRIPTION:

Budget amendments are mandated by the state for budgeted funds reallocated from one functional level, and state and/or federal project to another. These budget changes are usually the result of unexpected levels of expenditures in certain categories and amendments are for legal compliance. Other budget amendments are determined by the school board.

Since the operating budget for LCISD is adopted at the functional level, budget revisions are required for reallocations between functional levels or when new budgets are being established. All necessary budget amendments must be formally adopted by the school board and recorded in the board minutes. (TEA Financial Accountability System Resource Guide, Financial Accounting & Reporting, Update 14.0)

Submitted by: Jill Ludwig, Chief Financial Officer
Resource: Yvonne Dawson, Budget and Treasury Officer

Recommended for approval:



Dr. Thomas Randle
Superintendent

Briscoe Junior High is requesting a budget change to purchase books for teacher book study, "Teach Like A Pirate."

199-23	School Leadership	(1,660.00)
199-13	Curriculum and Instr. Staff Development	1,660.00

The Superintendent's Office is requesting a budget change to pay for district personnel to attend Math Best Practice training.

199-41	General Administration	(5,000.00)
199-13	Curriculum and Instr. Staff Development	5,000.00

The Career and Technical department is requesting a budget change to pay student registration fees and travel expenses to attend First Robotics competition.

199-11	Classroom Instruction	(8,100.00)
199-36	Co-curricular/Extra-curricular Activities	8,100.00

Staff Development is requesting a budget change to amend the budget for grant received by Region 4 for professional development.

199-00	Revenue	28,943.00
199-13	Curriculum and Instr. Staff Development	28,943.00

The Business Office is requesting a budget change to reflect changes in staff positions hired after budget was adopted.

199-11	Classroom Instruction	(72,954.00)
199-23	School Leadership	69,750.00
199-52	Security & Monitoring Services	3,204.00

CONSIDER RATIFICATION OF FINANCIAL AND INVESTMENT REPORTS

RECOMMENDATION:

That the Board of Trustees ratify the Financial and Investment Reports as presented.

PROGRAM DESCRIPTION:

Financial reporting is intended to provide information useful for many purposes. The reporting function helps fulfill government's duty to be publicly accountable, as well as to help satisfy the needs of users who rely on the reports as an important source of information for decision-making.

Financial reports and statements are end products of the reporting process. You will find attached the following reports:

- Ratification of October 2013 Disbursements, all funds
 - List of disbursements for the month by type of expenditure
- Financial Reports
 - Year-to-Date Cash Receipts and Expenditures, General Fund only
 - Investment Report

Submitted by: Jill Ludwig, Chief Financial Officer

Recommended for ratification:

Thomas Randle

Dr. Thomas Randle
Superintendent

SCHEDULE OF OCTOBER 2013 DISBURSEMENTS

IMPACT/RATIONALE:

All disbursements made by the Accounting Department are submitted to the Board of Trustees for ratification on a monthly basis. Disbursements made during the month of October total \$18,600,679 and are shown below by category:

<u>3-Digit Object</u>	<u>Description</u>	<u>Disbursements</u>
611/612	Salaries and Wages, All Personnel	12,195,886
614	Employee Benefits	414,874
621	Professional Services	15,164
623	Education Services Center	35,484
624	Contracted Maintenance and Repair Services	628,938
625	Utilities	132,974
626	Rentals and Operating Leases	23,477
629	Miscellaneous Contracted Services	856,425
631	Supplies and Materials for Maintenance and Operations	210,299
632	Textbooks and Other Reading Materials	123,962
633	Testing Materials	47,646
634	Food Service	656,901
639	General Supplies and Materials	571,633
641	Travel and Subsistence -- Employee and Student	54,191
642	Insurance and Bonding Costs	174,419
649	Miscellaneous Operating Costs/Fees and Dues	563,990
661	Land Purchase and/or Improvements	13,254
662	Building Purchase, Construction, and/or Improvements	1,749,693
663	Furniture & Equipment - \$5,000 or more per unit cost	109,427
129	Misc. Receivable/Alternative Certification Fees	2,800
131	Inventory Purchases	11,758
218	Due to State	5,000
573/575/592	Miscellaneous Refunds/Reimbursements to Campuses	2,484
Total		18,600,679

PROGRAM DESCRIPTION:

The report above represents all expenditures made during the month of October 2013 including purchasing card transactions from the previous month. The detailed check information is available upon request.

Submitted by,



Michele Reynolds,
Director of Finance

Recommended for approval:



Dr. Thomas Randle
Superintendent

**LAMAR CONSOLIDATED I.S.D.
GENERAL FUND
YEAR TO DATE CASH RECEIPTS AND EXPENDITURES
(BUDGET AND ACTUAL)
AS OF OCTOBER 31, 2013**

CASH RECEIPTS	AMENDED BUDGET	ACTUAL	BUDGET VARIANCE	PERCENT ACTUAL/ BUDGET
5700-LOCAL REVENUES	113,450,769.00	737,572.00	(112,713,197.00)	0.7%
5800-STATE PROGRAM REVENUES	82,693,545.00	51,187,276.00	(31,506,269.00)	61.9%
5900-FEDERAL PROGRAM REVENUES	2,070,000.00	11,121.00	(2,058,879.00)	0.5%
TOTAL- REVENUES	198,214,314.00	51,935,969.00	(146,278,345.00)	26.2%
<u>EXPENDITURES</u>				
6100-PAYROLL COSTS	163,750,469.00	26,814,034.00	136,936,435.00	16.4%
6200-PROFESSIONAL/CONTRACTED SVCS.	14,199,602.00	1,514,999.00	12,684,603.00	10.7%
6300-SUPPLIES AND MATERIALS	9,322,681.00	881,240.00	8,441,441.00	9.5%
6400-OTHER OPERATING EXPENDITURES	9,040,758.00	1,710,114.00	7,330,644.00	18.9%
6600-CAPITAL OUTLAY	551,665.00	60,700.00	490,965.00	0.0%
TOTAL-EXPENDITURES	196,865,175.00	30,981,087.00	165,884,088.00	15.7%

**Lamar CISD
Local Investment Pools
as of October 31, 2013**

ACCOUNT NAME	BEGINNING BALANCE	TOTAL DEPOSIT	TOTAL WITHDRAWAL	TOTAL INTEREST	MONTH END BALANCE
TexPool accounts are as follows:					
Food Service	2,496,229.54	0.00	250,000.00	95.81	2,246,325.35
General Account	65,394,495.97	20,849,197.82	15,182,552.34	2,653.21	71,063,794.66
Capital Projects Series 2004	8.51	0.00	0.00	0.00	8.51
Health Insurance	573,660.03	3,216,633.34	1,100,000.00	120.39	2,690,413.76
Debt Service Series 2004	35,074.03	3,655.59	0.00	1.64	38,731.26
Workmen's Comp	736,199.97	65,919.00	20,000.00	33.32	782,152.29
Property Tax	415,169.12	377,858.27	196,222.46	17.31	596,822.24
Vending Contract Sponsor	475,014.28	0.00	0.00	20.13	475,034.41
Deferred Compensation	2.55	0.00	0.00	0.00	2.55
Debt Service Series 2005	5.03	14,208.40	0.00	0.57	14,214.00
Debt Service Series 2007	1,235,063.36	11,575.10	0.00	52.75	1,246,691.21
Capital Projects Series 2005	667,045.36	0.00	0.00	28.22	667,073.58
Student Activity Funds	52,829.30	0.00	2,380.00	2.08	50,451.38
Taylor Ray Donation Account	12,359.74	0.00	0.00	0.56	12,360.30
Capital Projects Series 2007	3.63	0.00	0.00	0.00	3.63
Common Threads Donation	53,193.37	0.00	0.00	2.28	53,195.65
Debt Service Series 2008	39.85	10,686.20	0.00	0.40	10,726.45
Powell Point Series 2003	19,303.32	52.98	0.00	0.86	19,357.16
Capital Projects 2012A	22,036,186.20	0.00	0.00	932.57	22,037,118.77
Debt Service 2012A	34.07	6,899.16	0.00	0.28	6,933.51
Debt Service 2012B	12.18	2,327.21	0.00	0.00	2,339.39
Lone Star Investment Pool Government Overnight Fund					
Capital Projects Fund	5,016.26	0.00	0.00	0.29	5,016.55
Workers' Comp	720,189.65	0.00	0.00	41.83	720,231.48
Property Tax Fund	32,129.85	0.00	0.00	1.87	32,131.72
General Fund	2,585,482.17	0.00	0.00	150.17	2,585,632.34
Food Service Fund	90,406.82	0.00	0.00	5.25	90,412.07
Debt Service Series 1996	0.01	0.00	0.00	0.00	0.01
Capital Project Series 1998	699.99	0.00	0.00	0.04	700.03
Debt Service Series 1990	0.04	0.00	0.00	0.00	0.04
Debt Service Series 1999	2.43	0.00	0.00	0.00	2.43
Capital Project Series 1999	0.01	0.00	0.00	0.00	0.01
Capital Projects 2007	383.70	0.00	0.00	0.02	383.72
Capital Projects 2008	36,807.54	0.00	0.00	2.14	36,809.68
Capital Projects 2012A	22,036,925.18	0.00	0.00	1,279.95	22,038,205.13
MBIA Texas CLASS Fund					
General Account	15,325,332.99	0.00	0.00	1,207.98	15,326,540.97
Capital Project Series 1998	904.36	0.00	0.00	0.04	904.40
Capital Projects Series 2007	1.00	0.00	0.00	0.00	1.00
Debt Service Series 2007	1.00	0.00	0.00	0.00	1.00
Capital Projects Series 2012A	11,032,305.29	0.00	0.00	869.68	11,033,174.97
TEXSTAR					
Capital Projects Series 2007	742.61	0.00	0.00	0.00	742.61
Debt Service Series 2008	2,446,336.57	0.00	0.00	90.10	2,446,426.67
Capital Projects Series 2008	7,273,325.13	0.00	1,018,401.62	243.02	6,255,166.53
Debt Service Series 2012A	1,934,142.21	0.00	0.00	71.25	1,934,213.46
Debt Service Series 2012B	4,770.59	0.00	0.00	0.19	4,770.78
Capital Projects Series 2012A	12.21	0.00	0.00	0.00	12.21
TEXAS TERM/DAILY Fund					
Capital Projects Series 2007	1,003,727.91	0.00	0.00	32.43	1,003,760.34
Capital Projects Series 2008	140.58	0.00	0.00	0.00	140.58
Capital Projects Series 2012A	9,234,337.23	0.00	1,078,999.16	283.86	8,155,621.93

<u>ACCOUNT TYPE</u>	<u>AVG. RATE OF RETURN</u>	<u>CURRENT MONTH EARNINGS</u>
TEXPOOL ACCOUNT INTEREST	0.05	\$3,962.38
LONE STAR ACCOUNT INTEREST	0.07	\$1,481.56
MBIA TEXAS CLASS ACCOUNT INTEREST	0.09	\$2,077.70
TEXSTAR ACCOUNT INTEREST	0.04	\$404.56
TEXAS TERM/DAILY ACCOUNT INTEREST	0.04	\$316.29
TOTAL CURRENT MONTH EARNINGS		\$8,242.49
EARNINGS 9-01-13 THRU 9-30-13		\$6,628.86
TOTAL CURRENT SCHOOL YEAR EARNINGS		\$14,871.35

CONSIDER APPROVAL OF DONATIONS TO THE DISTRICT

RECOMMEDATION:

That the Board of Trustees approve donations to the district.

IMPACT/RATIONALE:

Policy CDC (Local) states that the Board of Trustees must approve any donation with a value in excess of \$2,500.

PROGRAM DESCRIPTION:

The George Foundation donated \$6,000 to fund Girls on the Run at Polly Ryon Middle and Hubenak Elementary schools.

Parents of Briscoe donated \$3,000 to purchase SmartBoards for the science department at Briscoe Junior High School.

Hutchison PTA donated \$4,184 to fund field trips for Pre-K through third grades at Hutchison Elementary School.

Meyer PTO donated \$14,000 to replace the track at Meyer Elementary School.

Recommended for approval:



Dr. Thomas Randle
Superintendent

**CASTING OF VOTES FOR FORT BEND CENTRAL APPRAISAL DISTRICT
BOARD OF DIRECTORS**

RECOMMENDATION:

That the Board of Trustees cast, by resolution, its 600 votes for a candidate(s) for the Board of Directors of the Fort Bend Central Appraisal District.

IMPACT/RATIONALE:

The following are attached:

1. An official ballot from the Fort Bend Central Appraisal District for the selection of their Board of Directors.
2. A tabulation of the number of votes allocated to each taxing unit in Fort Bend County. Lamar CISD has 600 votes.
3. Proposed Resolution for the casting of votes for candidates to serve on the Board of Directors of the Fort Bend Central Appraisal District.

PROGRAM DESCRIPTION:

In accordance with the Texas Property Tax Code, Section 6.03, on or before December 15, 2007, it is required that five directors be appointed by the taxing units that participate in the district as provided by this section. Members of the board of directors other than a county assessor-collector serving as a nonvoting director serve two-year terms beginning on January 1 of even-numbered years.

Recommended for approval:



Dr. Thomas Randle
Superintendent

**RESOLUTION FOR THE CASTING OF VOTES FOR CANDIDATE(S) TO SERVE ON
THE BOARD OF DIRECTORS OF THE
FORT BEND CENTRAL APPRAISAL DISTRICT**

WHEREAS, the Property Tax Code provides that each taxing unit in a county is entitled to vote, by resolution, by its governing board for candidates for each position to be filled on the Board of Directors of the county’s central appraisal district; and

WHEREAS, the Board of Trustees of the Lamar Consolidated independent School District is entitled to vote, and it wished to vote for the following candidate(s) for position(s) to be on the Board of Directors of the Fort Bend Central Appraisal District.

THEREFORE, BE IT RESOLVED THAT:

- 1. All the paragraphs are incorporated and made a part of this Resolution;
and
- 2. The Board of Trustees votes for the following person(s) for position(s) on the Board of Directors of the Fort Bend Central Appraisal District:

3. The President of the Board of Trustees is authorized and directed to submit these votes to the Lamar Consolidated Independent School District to the Chief Appraiser of the Fort Bend Central Appraisal District by delivering a copy of this Resolution to the Chief Appraiser before December 17, 2013.

4. This Resolution shall become effective from and after its passage. On motion of Trustee _____ and seconded by Trustee _____ the above Resolution voting for person(s) to serve on the Board of Directors of the Fort Bend Central Appraisal District was adopted, and it was so ordered.

THE STATE OF TEXAS

COUNTY OF FORT BEND

I, Frank Torres, Secretary of the Board of Trustees of the Lamar Consolidated Independent School District, do hereby certify that the foregoing is a true and correct copy of a motion presented and passed by a majority vote of the Board of Trustees at a meeting duly posted and noticed under the Texas Open Meetings Act and held on November 21, 2013.

 Frank Torres, Board Secretary
 Lamar Consolidated Independent School District

SUBSCRIBED AND SWORN TO BEFORE ME This is the ____ day of November 2013.

Notary Public in and for
 Fort Bend County, Texas

Name:

My Commission Expires:

FORT BEND CENTRAL APPRAISAL DISTRICT

2801 B. F. Terry Blvd., Rosenberg, Texas 77471-5600

Phone 281•344•8623 Fax 281•344•8632



October 18, 2013

RECEIVED

Dr. Thomas Randle
Superintendent
Lamar CISD
3911 Avenue I
Rosenberg, TX 77471-3901

OCT 21 2013

LAMAR CISD
SUPERINTENDENT'S OFFICE

Reference: 2014-2015 Election Ballot

Dear Superintendent Dr. Randle,

Enclosed is the election ballot for the 2014- 2015 Fort Bend Central Appraisal District Board of Directors Election. This year there are five candidates for the five board positions.

A signed copy of the board's resolution must be submitted along with the ballot for the votes to be counted. Submission of the ballot and resolution must be received by the Chief Appraiser before December 17, 2013. The code states in "Section 6.03 (k) the governing body of each taxing unit entitled to vote shall determine its vote by resolution and submit it to the chief appraiser before December 15." This year the 15th falls on Sunday so the deadline is extended to Monday the 16th.

The five candidates for the five positions are:

Al Abramczyk – Current board Secretary, retired from the Oil & Gas industries. He was responsible for acquisitions and divestitures, analysis and forecasts of oil and gas supply and demand. Since retirement he has been active in the community including serving on the Nalco Community Advisory Panel as well as many other organizations. He served on the Appraisal Review Board from 2006 to 2011. He has been a resident of Fort Bend County since 1995.

Albert Glover – Nominated by the Conservation and Reclamation Districts. He served on the Missouri City City Council and later served on the City of Missouri City 2012 Charter Review Commission and the TIRZ board. He has a Bachelor of Science degree from the University of Houston. He currently is working in the insurance industry. He has been a resident of Fort Bend County for 30 years.

Jim Kij – Current Board Chairman, is a Business Development Manager and Facility Solutions Specialist. Activity involvement with the Fort Bend community includes Fort Bend YMCA, Exchange Club of Sugar Land, Child Advocates of Fort Bend County and City of Sugar Land Mayor's Leadership Council. He has been a resident of Sugar Land since 1991.

Paul Stamatis – Current Vice Chairman, has a broad entrepreneurial background in designing, building and managing successful healthcare and real estate businesses. His deep experience as a world-class management consultant prepared him with the strategic planning and management capabilities necessary to create and deliver value to his partners. He is active with Boy Scouts of America, YMCA and Fort Bend Fellowship.

Rhonda Zacharias – Current board member, is an Information Technology professional with over 25 years' experience in the Technology, Transportation and Oil & Gas industries. She is currently a member of the LCISD school board. She is a native Houstonian and has been a resident of Fort Bend County for over 30 years.

If you have any questions regarding this matter I can be contacted at 2801 B. F. Terry Blvd., Rosenberg, Texas 77471-5600 or by phone at 281-344-8623 extension 140.

Respectfully yours,

A handwritten signature in black ink, appearing to read "Glen T. Whitehead".

Glen T Whitehead, RPA
Chief Appraiser

Election Ballot

2014-2015 Board of Directors Fort Bend Central Appraisal District

Jurisdiction:

Total Voting Entitlement:

Lamar CISD

600

Section 6.03 of the Texas Property Tax Code requires five directors to be appointed by the taxing units that participate in the district as provided by this section. Members of the board of directors other than a county assessor-collector serving as a nonvoting director serve two-year terms beginning on January 1 of even-numbered years.

The candidates listed below were duly nominated by the voting governing bodies and now stand for election for the five (5) positions. Only one ballot per entity may be submitted.

Candidate:

Votes Cast:

Al Abramczyk

Albert Glover

Jim Kij

Paul Stamatis

Rhonda Zacharias

Cast your votes for the candidate(s) of your choice and return the ballot along with a signed resolution of the board vote, to the Fort Bend Central Appraisal District before December 17, 2013.

Section 6.03

(j) Before October 30, the chief appraiser shall prepare a ballot, listing the candidates whose names were timely submitted under Subsections (g) and, if applicable, (h) or (i) alphabetically according to the first letter in each candidate's surname, and shall deliver a copy of the ballot to the presiding officer of the governing body of each taxing unit that is entitled to vote.

(k) The governing body of each taxing unit entitled to vote shall determine its vote by resolution and submit it to the chief appraiser before December 15. The chief appraiser shall count the votes, declare the five candidates who receive the largest cumulative vote totals elected, and submit the results before December 31 to the governing body of each taxing unit in the district and to the candidates. For purposes of determining the number of votes received by the candidates, the candidate receiving the most votes of the conservation and reclamation districts is considered to have received all of the votes cast by conservation and reclamation districts and the other candidates are considered not to have received any votes of the conservation and reclamation districts. The chief appraiser shall resolve a tie vote by any method of chance.

**DISCUSSION AND ACTION ON SEGUIN EARLY CHILDHOOD CENTER
TRANSPORTATION**

IMPACT/RATIONAL:

In 2012-13 Seguin Elementary School was repurposed to become the Seguin Early Childhood Center (SECC) in collaboration with the Williams Tri- County Head Start Program. The SECC provides a full day pre-kindergarten program for students residing in the Richmond/Rosenberg area who meet eligibility requirements. In the inaugural year of the SECC, transportation was provided to students who were picked up from their home campus in the morning where they boarded a bus to Seguin. This same process was followed by each of the seven feeder schools. There are currently 413 Pre-K students attending the SECC.

The decision was made not to provide transportation for the 2013 school year as a result of student safety concerns and feedback received from a focus group held on campus that included parents, a social worker, teachers, the campus administrator, and Head Start personnel. By not providing transportation, students have gained a total of approximately 178 hours of instructional time. This is the equivalent of about 25 additional days of instruction.

Half day Pre-K is offered on nine campuses serving 439 students. The total number of students served in the full and half day programs is 852.

Submitted by: Laura Lyons, Executive Director of Elementary Education
Dr. Thomas Randle, Superintendent

Recommended for approval:



Dr. Thomas Randle
Superintendent

Positive Impact of No Bus Transportation

- Gain of 178 hours of instructional time which equates to 25 additional days of learning
- Learning takes place as soon as students arrive on campus
- Fewer behavioral issues which also have an impact on instruction
- Head Start program is in compliance due to the addition of instructional minutes in the day-therefore will not be in jeopardy of losing funding
- No safety concerns
- Little to no parent complaints
- The year began with 35 students on a waiting list to get into the full day program
- Opened a new PK classroom to accommodate parents on waiting list
- Parent Poll taken on October 3, 2013-indicated 140 out of 167 parents would choose full day PK program over a half day program even if bus transportation is not provided
- Currently have more students enrolled vs. ending enrollment last year
- Increased parent contact due to parent drop off and pick up

Negative Impact of Bus Transportation

- Loss of instructional time due to late arrival of busses
- Student safety in jeopardy due to amount of students on a bus (40+ on most of the buses)
- Students falling asleep on buses
- Younger students being exposed to older students' behaviors while on the bus home
- Some students had to ride multiple buses to arrive to school as well as home
- Restroom accidents due to time spent on the bus
- Some students had to remain on their buses at the home campus before the bus could approach the bus ramp causing students to have accidents, and sit in the heat
- Students dismissed from SECC at 2pm and not arrive at home until after 3:15 p.m.
- Due to the amount of transitions taking place from bus to school to home; student belongings were lost along the way
- Rainy days were always a safety concern for students as they boarded/departed buses
- Beginning of the year-numerous students that arrived by bus were sent to school without any identification
- Inconsistency in the arrival of buses affected instructional time, cafeteria operations and the serving of breakfast. Lunch preparations were delayed as a result.
- Head Start program in jeopardy of losing federal funding due to loss of instructional time

**CONSIDER APPROVAL OF DISTRICT SECURITY AND FIRE ALARM
MONITORING AND SERVICE**

RECOMMENDATION:

That the Board of Trustees approve APi Systems Group for District security and fire alarm monitoring and service.

IMPACT/RATIONALE:

Request for Proposal #30-2013 requested prices for an annual contract for security and fire alarm monitoring and service. The proposer will provide intrusion detection and fire alarm monitoring services for all District properties and service all intrusion devices. As an alarm sounds, the contractor will follow specified contact protocols to notify the District of all alarm drops.

The Maintenance and Operations Department worked with the Purchasing Department on bid specifications, evaluation, and award recommendation. Direct solicitation of six vendors resulted in one bid response and one letter of no bid. The responding vendor, APi Systems Group, is the previously awarded company for this service. The evaluation process included a weighted evaluation system pre-established in the bid, and the evaluation of this respondent is provided for your review.

PROGRAM DESCRIPTION:

This proposal will be awarded as an annual contract with the option of renewal for two additional one year periods if both parties agree and terms and conditions remain the same, with the exception of any documented increases in labor, material or disposal costs delineated by the contractor and accepted by the District prior to renewal. This agreement will commence on December 1, 2013.

Submitted by: Robin Sheehan, Purchasing & Materials Manager
 Jill Ludwig, Chief Financial Officer
 Kevin McKeever, Administrator for Operations

Recommended for approval:



Dr. Thomas Randle
Superintendent

Bid Summary

RFP 30-2013

District Security & Fire Alarm Monitoring and Service

November 21, 2013

	Api Systems Group
<u>Fire Alarm Annual Monitoring</u>	
Total Annual	\$18,600.00
<u>PRICING FOR SERVICES</u>	
Master Technician	
Price per hour	\$75.00
Overtime per hour	\$95.00
Overtime Charge for any hour after	4:30 PM
Overtime Charge for any hour before	7:30 AM
Technician Helper	
Price per hour	\$65.00
Overtime per hour	\$85.00
Overtime Charge for any hour after	4:30 PM
Overtime Charge for any hour before	7:30 AM
Truck or Travel Time	
Price per hour	n/a
Overtime per hour	n/a
Overtime Charge for any hour after	n/a
Overtime Charge for any hour before	n/a
Material/Equipment	
Material cost plus	30%
New Equipment cost plus	30%
Average Response Time to Calls	2 hours
Emergency Response Time to Calls	2 hours

DISTRICT SECURITY & FIRE ALARM MONITORING AND SERVICE (Average of 3 appraisers)		API Systems Group
Each line item is weighted by points. The number of points awarded may be all, partial, or none.		
A low number means low evaluation and a high number means a high evaluation of the line item.		
13 PTS	The amount of the base proposal.	11
12 PTS	Quality of work previously performed in the district.	11
10 PTS	The amount of the special services rates for labor and parts.	10
9 PTS	The sufficiency of the Contractors total resources.	9
8 PTS	The probability that the Contractor can perform in accordance with the proposal documents.	8
8 PTS	The responsibility and reputation of the Contractor.	8
8 PTS	Guaranteed maximum response time.	8
6 PTS	The likelihood that the Contractor will perform without delay or interference.	6
6 PTS	The quality and availability of the Contractors personnel and services.	6
5 PTS	The contractors previous compliance with laws affecting the project.	5
5 PTS	The number and scope of conditions, if any, attached to the proposal by the Contractor.	5
5 PTS	Safety record of Contractor according to OSHA inspection logs for the last three years, a loss analysis from the Contractor's insurance carrier and a loss history covering all lines of insurance coverage carried by the Contractor.	5
5 PTS	Previous experience of the Contractor with contracts of comparable magnitude and quantities.	5
100 PTS	TOTAL POINTS	97

**CONSIDER APPROVAL OF PURCHASE OF
TECHNOLOGY VEHICLES**

RECOMMENDATION:

That the Board of Trustees approve the purchase of three small cargo utility vehicles from Helfman Ford in the amount of \$57,840.

IMPACT/RATIONALE:

Bid #31-2013 requested prices to purchase service vehicles for the Technology Services Department. The rationale to purchase these vehicles comes from department research including:

- Technicians are using their personal vehicles to travel within the district and this has proven inefficient.
- The technicians may not have insurance coverage when using their personal vehicle for district travel.
- The cost of mileage reimbursement to technicians.

The Technology Department worked with the Purchasing Department on bid specifications, evaluation, and award recommendation.

PROGRAM DESCRIPTION:

These vehicles will be used in the daily operations of the Technology Department. The Technology Department is replacing one old vehicle needing repairs greater than its value, and adding two needed vehicles to their fleet.

Submitted by: Robin Sheehan, Purchasing & Materials Manager
 Jill Ludwig, Chief Financial Officer
 David Jacobson, Chief Technology Information Officer

Recommended for approval:



Dr. Thomas Randle
Superintendent

Bid Summary
Bid No. 31-2013
Technology Vehicles
November 21, 2013

Item	Qty.	Description	Chastang Ford	Grande Truck Center	Helfman Ford
			Per Unit Cost		
1	3	Technician Vehicle Ford Escape SE	21,529.00	22,397.00	19,220.00
	3	Technician Vehicle Transit XL Van-LWB	20,459.00	21,463.00	20,160.00
	3	Technician Vehicle Transit XL Van-SWB	19,575.00	20,583.00	19,280.00
Total Expenditure					<u>\$ 57,840.00</u>

CONSIDER APPROVAL OF ELEVATOR MAINTENANCE AND INSPECTION

RECOMMENDATION:

That the Board of Trustees approve Elevator Transportation Services, Inc. for the elevator maintenance and inspection.

IMPACT/RATIONALE:

Competitive Sealed Proposal #32-2013 requested prices for an annual contract for Elevator Maintenance and Inspections. (See attached spreadsheet.) This proposal covers all locations where an elevator is currently present.

The Maintenance and Operations Department worked with the Purchasing Department on bid specifications, evaluation, and award recommendation. The evaluation of each contractor and final decision was done through a weighted evaluation system pre-established in the bid.

PROGRAM DESCRIPTION:

This bid will be awarded as an annual contract with the option of renewal for two additional one year periods if both parties agree and terms and conditions remain the same, with the exception of any documented increases in labor, material or disposal costs delineated by the contractor and accepted by the District prior to renewal. This agreement will commence on December 1, 2013.

Submitted by: Robin Sheehan, Purchasing & Materials Manager
 Jill Ludwig, Chief Financial Officer
 Kevin McKeever, Administrator for Operations
 Aaron Morgan, Director of Maintenance & Operations
 Paul Gutowsky, Assistant Director of Maintenance & Operations

Recommended for approval:



Dr. Thomas Randle
Superintendent

Bid Summary
CSP No. 32-2013
Elevator Maintenance and Inspection
November 21, 2013

Description	A&F Elevator Company, Inc.	Elevator Transportation Services, Inc.	Fujitec America, Inc.	Humble Elevator Service, Inc.	ThyssenKrupp Elevator Americas
MONTHLY MAINTENANCE					
Brazos Crossing Administration	\$ 2,340.00	\$ 1,296.00	\$ 1,070.64	\$ 1,320.00	\$ 3,000.00
Briscoe Junior High	\$ 2,340.00	\$ 1,296.00	\$ 1,070.64	\$ 1,320.00	\$ 3,000.00
George Junior High	\$ 2,340.00	\$ 1,296.00	\$ 1,070.64	\$ 1,320.00	\$ 3,000.00
Foster High (Main Building)	\$ 2,340.00	\$ 1,296.00	\$ 889.08	\$ 1,320.00	\$ 3,000.00
Foster High (Auditorium)	\$ 780.00	\$ 1,080.00	\$ 889.08	\$ 1,200.00	\$ 1,920.00
Foster High (Football Press box)	\$ 780.00	\$ 1,080.00	\$ 889.08	\$ 1,200.00	\$ 1,920.00
Foster High (Baseball Press box)	\$ 780.00	\$ 1,080.00	\$ 889.08	\$ 1,200.00	\$ 1,920.00
George Ranch High (Main Building)	\$ 780.00	\$ 1,296.00	\$ 1,070.64	\$ 1,320.00	\$ 3,000.00
George Ranch High (Auditorium)	\$ 780.00	\$ 1,080.00	\$ 889.08	\$ 1,200.00	\$ 1,920.00
Reading Junior High	\$ 780.00	\$ 1,296.00	\$ 1,070.64	\$ 1,320.00	\$ 3,000.00
Ryon Middle School	\$ 780.00	\$ 1,080.00	\$ 889.08	\$ 1,320.00	\$ 1,920.00
Terry High	\$ 1,800.00	\$ 1,296.00	\$ 1,070.64	\$ 1,320.00	\$ 3,000.00
Total Yearly Cost	\$ 16,620.00	\$ 14,472.00	\$ 11,758.32	\$ 15,360.00	\$ 30,600.00
ANNUAL SAFETY TEST					
Brazos Crossing Administration	\$ 75.00	\$ 110.00	\$ 125.00	\$ 100.00	\$ -
Briscoe Junior High	\$ 75.00	\$ 110.00	\$ 125.00	\$ 100.00	\$ -
George Junior High	\$ 75.00	\$ 110.00	\$ 125.00	\$ 100.00	\$ -
Foster High (Main Building)	\$ 75.00	\$ 110.00	\$ 125.00	\$ 100.00	\$ -
Foster High (Auditorium)	\$ 75.00	\$ 110.00	\$ 125.00	\$ 100.00	\$ -
Foster High (Football Press box)	\$ 75.00	\$ 110.00	\$ 125.00	\$ 100.00	\$ -
Foster High (Baseball Press box)	\$ 75.00	\$ 110.00	\$ 125.00	\$ 100.00	\$ -
George Ranch High (Main Building)	\$ 75.00	\$ 110.00	\$ 125.00	\$ 100.00	\$ -
George Ranch High (Auditorium)	\$ 75.00	\$ 110.00	\$ 125.00	\$ 100.00	\$ -
Reading Junior High	\$ 75.00	\$ 110.00	\$ 125.00	\$ 100.00	\$ -
Ryon Middle School	\$ 75.00	\$ 110.00	\$ 125.00	\$ 100.00	\$ -
Terry High	\$ 75.00	\$ 110.00	\$ 125.00	\$ 100.00	\$ -
Hourly Service Fee	\$ 145.00	\$ 204.00	\$ 249.02	\$ 157.50	\$ 349.00
Discount for parts (%)	10%	0%	No Bid	15%	No Bid
Additional Cost: OT hourly fee	No Bid	No Bid	No Bid	267.75 / hour	No Bid
Additional Cost: mileage	No Bid	No Bid	No Bid	.58 / mile	No Bid
Additional Cost:					
Additional Cost:					
Addendum #1	Yes	Yes	Yes	Yes	Yes
Addendum #2	Yes	Yes	Yes	Yes	Yes

Bid Summary
 CSP No. 32-2013
 Elevator Maintenance and Inspection
 November 21, 2013

Description	A&F Elevator Company, Inc.	Elevator Transportation Services, Inc.	Fujitec America, Inc.	Humble Elevator Service, Inc.	ThyssenKrupp Elevator Americas
-------------	----------------------------	---	-----------------------	-------------------------------	--------------------------------

Evaluation System:

#1. The amount of the base proposal. (13 pts)	9.0	11.7	13.0	10.3	7.3
#2. The availability and accessibility of parts and software applications required to maintain proprietary systems. (12 pts)	12.0	11.0	12.0	11.3	12.0
#3. The sufficiency of the Contractors total resources. (9 pts)	8.3	8.7	8.3	8.3	8.3
#4. The probability that the Contractor can perform in accordance with the proposal documents. (8 pts)	7.7	8.0	7.7	7.7	7.7
#5. The responsibility and reputation of the Contractor. (8 pts)	7.3	8.0	7.3	7.3	7.7
#6. Guaranteed maximum response time. (8 pts)	8.0	8.0	5.3	7.3	8.0
#7. The likelihood that the Contractor will perform without delay or interference. (6 pts)	5.0	6.0	5.0	5.0	5.0
#8. The quality and availability of the Contractors personnel and services. (6 pts)	6.0	6.0	6.0	6.0	6.0
#9. The Contractor's previous compliance with laws affecting the project. (5 pts)	5.0	5.0	5.0	5.0	5.0
#10. The amount of values in the additional pricing submittals. (5 pts)	3.3	2.7	2.0	2.7	0.0
#11. The number and scope of conditions, if any, attached to the proposal by the Contractor. (5 pts)	5.0	4.3	5.0	4.7	5.0
#12. Safety record of Contractor according to the Office of Safety and Health Administration inspection logs for the last three years, a loss analysis from the Contractor's insurance carrier and a loss history covering all lines of insurance coverage carried by the Contractor. (5 pts)	5.0	5.0	5.0	5.0	5.0
#13. Previous experience of the Contractor with contracts of comparable magnitude and quantities. (5 pts)	3.7	5.0	3.7	3.7	4.3
#14. Previous satisfactory experience with Public Schools within the Region IV Education Service area. (5 pts)	5.0	5.0	5.0	5.0	5.0
TOTAL to Contractor out of 100 points	90.3	94.4	90.3	89.3	86.3

**CONSIDER APPROVAL OF CENTERPOINT TERMS AND CONDITIONS FOR THE
NEW LAMAR CONSOLIDATED HIGH SCHOOL BASEBALL/SOFTBALL COMPLEX**

RECOMMENDATION:

That the Board of Trustees approve the CenterPoint Energy terms and conditions package for the installation of underground service to the new Lamar Consolidated High School Baseball/Softball complex and installation fee of \$12,100.

IMPACT/RATIONALE:

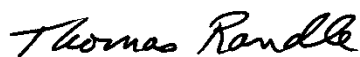
The terms and conditions are applicable to this request to CenterPoint Energy for the underground service for the new Lamar Consolidated High School Baseball/Softball complex. The underground electrical service will enter the back of the complex to a pad mounted transformer located by the new field house on the complex.

PROGRAM DESCRIPTION:

Upon approval CenterPoint Energy will begin design and construction of the permanent electrical service to the new Lamar Consolidated High School Baseball/Softball complex.

Submitted by: J. Kevin McKeever, Administrator for Operations
Ed Bailey, Gilbane

Recommended for approval:



Dr. Thomas Randle
Superintendent



October 10, 2013
Job # 67001210

Re: **LAMAR CONSOLIDATED I.S.D.**
Lamar Consolidated High School Baseball/Softball Complex
4606 Mustang Ave

Please find attached the Terms and Conditions (T&C) package as prepared by CenterPoint Energy's (CNP) Major Underground Engineering (MUG), applicable for providing the requested underground service of 393 kVA. MUG will serve the load with a 500 kVA, 12.47 kV - 480Y/277 V, three phase, four wire, pad mounted transformer.

After applying a credit for standard service, the cost for the facilities required to provide the requested underground service is as follows:

REQUESTED UNDERGROUND SERVICE	\$	12,100
(Ducts & pad by the Customer)		

The above cost is based on using CNP's standard installation equipment and includes no overtime premiums. The standard overhead service credit is based on installing (3) 167 kVA, pole mounted transformers and associated overhead facilities.

The above cost and attached T&C package are effective for 365 days from the date of this letter, provided the field conditions existing as of this date and location of the facilities shown on the attached sketches remain the same. After that time, the T&C package and cost must be reviewed by MUG before a final commitment is made to the Customer.

Please review the attached T&C package and Facilities Extension Agreement (FEA). Sign the cover sheet of the T&C package and the second page of the FEA. Return these original documents, as well as any required remittance to my office. Note that the information contained in the package is applicable for the life of the service.

Before beginning the required underground construction, please arrange for a pre-construction meeting with MUG and your contractors.

If any additional information is required, contact me at 713-207-6120.

Thank you.

Adam McDonald
Adam.Mcdonald@centerpointenergy.com

CenterPoint Energy Houston Electric, LLC
Applicable: Entire Service Area

CNP 8038

Nothing herein contained within this Agreement shall be construed as a waiver or relinquishment by Company of any right that it has or may hereafter have to discontinue service for or on account of default in the payment of any bill owing or to become owing thereafter for any other reason or cause stated in Company's Tariff.

This Agreement shall not be binding upon Company unless and until it is signed by an authorized representative of the Company.

CenterPoint Energy Houston Electric, LLC

Retail Customer

By Adam McDonald

By _____

ADAM MCDONALD

(name printed or typed)

(name printed or typed)

Title ENGINEER

Title _____

Date 10-02-2013

Date _____

Please make checks payable to *CenterPoint Energy*

**TERMS & CONDITIONS
UNDERGROUND ELECTRIC SERVICE**

FOR

**LAMAR CONSOLIDATED I.S.D.
Lamar Consolidated High School Baseball/Softball Complex
4606 Mustang Ave**

Job #67001210

**CenterPoint Energy (CNP)
Major Underground Engineering
P. O. Box 1700; Houston, Texas 77251-1700**

REFERENCE LAMAR CONSOLIDATED I.S.D. DRAWINGS:

Site Plan	Drawing #:	<u>AS-101</u>	Dated:	<u>June 12, 2013</u>
Utility Plan	Drawing #:	<u>AS-101</u>	Dated:	<u>June 12, 2013</u>
Electrical One-Line	Drawing #:	<u>E5.01</u>	Dated:	<u>May 8, 2013</u>
Load Analysis	Drawing #:	<u>E5.01</u>	Dated:	<u>May 8, 2013</u>

REFERENCE CENTERPOINT ENERGY SPECIFICATIONS:

Service Standards	:	August 23, 2012
Emergency Generators	:	007-231-82
Ready-Mix Concrete	:	007-221-01
Harmonic Distortion	:	007-231-83

Reviewed And Agreed To By: _____

Signature Title Date

Print Name

If this Terms & Conditions package is signed by anyone other than an official from Lamar Consolidated I.S.D., it will not be considered valid. A valid signature will be considered an acceptance of all information contained within this Terms & Conditions package.

						CenterPoint Energy Houston, Texas		
						WRITTEN	ADM	10/10/2013
						CHECKED	RJG	10/10/2013
						APPROVED	RED <i>RED</i>	10/10/2013
						SHEET 1 OF 13 SHEETS		
NO.	DATE	ITEMS REVISED	BY	CH	APP	PM 2733		

GENERAL

- A. These Terms and Conditions are for a service arrangement for Lamar Consolidated I.S.D. Lamar Consolidated I.S.D. and/or its contractors/representatives are herein referred to as the Customer.
- B. Service to be provided by CenterPoint Energy (CNP) from a 500kVA, 12.47kV - 480Y/277 V, three phase, four wire, pad mounted transformer.
- C. The CNP Major Underground Engineering (MUG) representative is Adam McDonald at 713-207-6120 or Adam.Mcdonald@centerpointenergy.com.

The CNP Service Area Consultant is John Stavinoha at 281-561-3257.
- D. The Customer must comply with all CNP Service Standards, the National Electrical Code, the National Electrical Safety Code, all Occupational Safety and Health Administration (OSHA) requirements, the International Building Code and all local governing body codes.
- E. During installation of CNP equipment, CNP will make every effort to preserve the Customer's landscaping, parking areas, or other facilities. However, any cost that has been quoted to the Customer does not include any special replacements or repairs to these items. The Customer shall be solely responsible for any expenses associated with replacements or repairs to its facilities.
- F. The service arrangement outlined in these Terms and Conditions is based on the Customer drawings referenced on page 1. Any changes in the design as illustrated in the referenced drawings may impact CNP's ability to meet the Customer's requested service date.
- G. Any changes, additions, deletions, rearrangements, relocations, rerouting, reduction of clearances, etc., of the Customer's and/or CNP's service facilities illustrated in these Terms and Conditions shall have MUG's approval and may require a revised Terms and Conditions. It is the Customer's responsibility to coordinate the location of all Customer installed facilities outlined in these Terms and Conditions with all other structures and/or appurtenances not shown in the referenced drawings.
- H. Contact the MUG representative concerning Customer drawing revisions, information submission, questions, Terms and Conditions revision requests, etc.
- I. Hard copy submittals may be mailed to the MUG representative (address – 3000A Harrisburg Blvd. – Houston, Texas 77003). Electronic submittals may be e-mailed to the MUG representative. The MUG representative will; “approve the submittals”, “approve the submittals as noted” or “not approve the submittals”. The Customer shall not install any item that requires CNP approval before receiving an official approval from MUG. CNP shall not be responsible for any installed item that has not received MUG approval.

SERVICE CONNECTION

- A. The Customer's maximum number of secondary cables that can be terminated in CNP's pad mount transformer is 8-750 MCM cables per phase. The Customer shall advise the MUG representative, about the type, size and number of secondary conductors. Ampacity equivalent sets of cable must be individually approved by the MUG representative prior to installation by the Customer. If the Customer's cable requirements exceed this specified maximum limit, it cannot be served directly from the pad mounted transformer. The Customer shall then install, own, and maintain a cable tap box (CTB) (See Section D).
- B. On installations not utilizing a CTB, the Customer shall furnish, own, and maintain all secondary service conduit and cable underground into the secondary opening of the transformer pad. Secondary conductors shall be extended a minimum of seven feet (7') above the transformer pad. **The Customer shall not install the secondary cables until after the transformer has been set. CNP will terminate the secondary cables in the transformer.**
- C. To accommodate future expansion, the Customer may install up to 8-4" secondary conduits into the transformer pad.
- D. On installations utilizing a CTB, CNP shall furnish, own, install and terminate the secondary cable from the transformer to the CTB at the Customer's expense. The Customer shall furnish, install, own and maintain the CTB, the CTB pad, and 4-4" conduits from the secondary opening of the transformer pad to the CNP side of the CTB pad. The Customer shall install and terminate the secondary cable from its side of the CTB to its switchgear. Typical three-phase CTB drawings are available upon request. The Customer shall submit three (3) drawings of the proposed CTB to the MUG representative for approval prior to fabrication.
- E. The initial available short circuit current is 34,366 amperes symmetrical, with an X/R ratio of 3.1.
- F. The ultimate available short circuit current is 34,366 amperes symmetrical, with an X/R ratio of 3.1.
- G. Customers receiving electrical service from multiple sources will be required to install a permanent plaque or directory at each source in accordance with Article 230.2 of the National Electrical Code (NEC). These plaques are to signify that there is more than one electrical service to the building. The Customer shall keep the power from each source separate throughout its entire electrical system. This requirement is for the life of the service.
- H. A protective device coordination study for the Customer's service relative to CNP's protective devices may be requested by contacting the MUG representative.

ACCESS

The Customer must provide a twelve foot (12') minimum width, fourteen foot (14') minimum vertical clearance, all weather, vehicle access road designed for HS-20-44 loading as recognized by the American Association of State Highway Officials (AASHO), for CNP personnel and equipment ten feet (10') past the side of the proposed pad mounted equipment location. In addition, the area adjacent to the pad must be designed for HS-20-44 loading to allow for outrigger placement. If the access road and the pad mounted equipment location have not been completed and passed final inspection (see Final Inspection, page 6) at the time the Customer requests the equipment be set, the equipment can only be set under the following conditions.

- A. MUG has determined that the access route is dry and readily accessible to CNP's normal installation equipment.
- B. The Customer shall be responsible for all expenses associated with the repair and/or replacement of CNP pad mounted equipment damaged by additional construction activity. Damage to CNP equipment may result in delays to the Customer's requested service date.
- C. CNP will not complete the underground construction (i.e. pulling & terminating cable, energizing the service, etc.) until the access road and pad mounted equipment location have passed final inspection (see Final Inspection, page 6).

The Customer must provide a thirty two foot (32') minimum vertical clearance over all equipment pads for CNP trucks and equipment.

The Customer must maintain these requirements for the life of the service.

CNP will utilize the Customer's parking and driveway facilities for the required access.

EMERGENCY GENERATION AND SECONDARY LOAD TRANSFER

Customer installed Emergency Generators and/or Secondary Load Transfer schemes shall meet the requirements of the CNP Specification on Customer Emergency Generation and Secondary Load Transfer, Specification 007-231-82, latest revision (available upon request). This requirement is for the life of the service.

Generator exhaust must be located and/or directed away from CNP's equipment.

HARMONIC DISTORTION

The Customer shall meet the requirements of the CNP Specification on Limitation of Harmonic Distortion on the Distribution System, Specification 007-231-83, latest revision (available upon request). This requirement is for the life of the service.

METERING

- A. The Customer's metering arrangement must comply with CNP Service Standards, Section 400 or 500 as applicable.
- B. The metering current and potential transformers (CT's and PT's) will be installed in the secondary compartment of the transformer provided all service from the transformer is through one meter. If all the services are not through one meter, the Customer shall inform the MUG representative, so that alternate metering provisions can be arranged (separate CT and PT cans as required for each service).
- C. All Retail Customers must be metered separately.
- D. Meter Room and/or Modular Meter installations must have CNP written approval prior to the purchase/installation of materials/equipment. The Customer must submit applicable drawings to the MUG representative for approval.

FACILITIES INSTALLED BY THE CUSTOMER

All facilities are to be installed per the attached construction specifications. The Customer or its contractor is to request a preconstruction meeting prior to starting the required underground construction by calling the number listed below.

All facilities shall be inspected by CNP after the conduit is installed, pads are formed, reinforcing rods installed, etc. but prior to the pouring of concrete. CNP recommends that the Customer complete the pouring of concrete on the day the facilities are inspected and approved. The Customer will insure that all inspected and approved facilities remain in the approved condition until the concrete pour has been completed. If there is damage to the inspected and approved facilities prior to the pouring of concrete, the facilities must be re-inspected by CNP before the Customer begins the pouring of concrete. CNP reserves the right to require the Customer to break out any unapproved concrete pours at its expense.

CNP will make a reasonable attempt to complete all inspection requests. To insure that inspection requests can be fulfilled, they should be made twenty-four (24) hours in advance (Mon. - Fri.; between 9:00 a.m. and 3:00 p.m., holidays excluded) to Major Underground Engineering at (713) 207-6229. Job # 67001210 must be provided as the inspection identification number.

DUCTBANK INSTALLATION

All proposed conduit for CNP's use is to be installed in straight runs, unless otherwise indicated on CNP drawings. Any conduit bends must be installed with a twenty foot (20') minimum radius, unless indicated otherwise on CNP drawings. Conduit turn-ups into any equipment pad and/or pole pedestal must have a minimum five foot (5') radius. Any deviations from these requirements shall have written approval from the MUG representative prior to installation.

During installation, the minimum depth for a conduit run must be referenced to the final grade.

The Customer is to delay installation of approximately the last twenty feet (20') of the conduit run and the pole pedestal to any terminal pole until the pole has been set by CNP. Before trenching to the base of any terminal pole, the Customer must securely brace the pole. The Customer must request staking and setting of any terminal pole by contacting the Service Area Consultant.

The Customer must provide a jet line in each conduit installed. This jet line shall extend a minimum of seven feet (7') beyond the end of each conduit.

DUCTBANK INSTALLATION (continued)

For installations not utilizing a blanket easement document (see Easement Instrument section, page 7), the Customer shall also install a #14 American Wire Gage (AWG) or larger aluminum or copper 600 volt insulated conductor in one of the conduits. The conductor must be electrically continuous. For manhole installations, the electrically continuous conductor must also be looped through each manhole lid and tied to a concrete insert in the neck of each manhole. This conductor is to facilitate surveying of the duct bank by CNP. The duct bank cannot be surveyed until this conductor is installed as prescribed. The Customer must take adequate measures to assure the conductor will be in place until all necessary surveying is completed. After surveying of the duct bank is completed, but prior to CNP installing any primary cable, the Customer may retrieve its conductor at its option.

Conduit ends shall be plugged with a duct cap or other type capping device. The use of rags to plug conduits is not acceptable. If the conduit is installed in stages, the Customer must keep each section of conduit capped until the new section is installed. If, prior to CNP using any conduit, the conduit is found to be blocked, the Customer will be responsible, at its expense, for removing the obstruction.

CLEARANCES

Final approval for the location of the pad mount equipment and/or other proposed electrical installation is contingent upon proper clearance, as determined by CNP, from cooling towers, vents, buildings, structures, etc., and other underground utilities. It is in the Customer's and CNP's best interest to have all service equipment in a contamination-free environment to avoid unscheduled outages and/or premature equipment failures. Therefore, prior to any construction, the Customer shall inform the MUG representative of any existing or future contamination or pollutants which may affect the equipment so that necessary clearances can be secured.

The MUG representative shall be notified promptly if the Customer intends to install any obstructions such as walls, hedges, bushes, trees, etc., around the transformer and/or any associated equipment so that additional clearances and access can be secured. Any proposed enclosure surrounding CNP's equipment must be louvered, and both a profile and a cross-sectional view of the proposed louvered enclosure shall be submitted for approval prior to installation.

If, in the future, there is a problem with contamination of CNP's equipment, or proper clearances are not maintained, CNP reserves the right to relocate the equipment at the Customer's expense.

CNP will not allow other facilities to pass beneath its equipment pads. A one foot (1') minimum horizontal clearance shall be maintained between CNP pads and all other facilities.

A one foot (1') minimum vertical clearance must be maintained between CNP duct banks and all non-CNP facilities crossing the duct bank.

A five foot (5') minimum horizontal clearance must be maintained between CNP duct banks and other facilities running parallel to the duct bank. CNP will not allow joint trenching between CNP duct banks and other facilities.

FINAL INSPECTION

After the Customer has advised CNP that all "Customer installed" facilities pertaining to this service arrangement have been completed and inspected, a final on-site inspection will be made by a MUG representative. This final inspection will verify that all Customer installed facilities are in

FINAL INSPECTION (continued)

accordance with these Terms and Conditions. The Customer (or its contractor) and the Service Area Consultant will be advised of any needed corrections and/or changes. When all necessary corrections and/or changes have been completed, CNP's portion of the construction may begin.

EASEMENT INSTRUMENT

CNP will prepare an instrument for easements to be granted by the property owner after all installations for CNP's use have been completed according to these Terms and Conditions. The service cannot be energized until CNP has accepted the signed instrument for all easements.

The Customer also has the option of signing a blanket easement document. Use of the blanket easement allows the service to be energized before the final signed instrument for all easements has been completed. The Customer may request use of the blanket easement document by contacting the MUG representative.

CNP will need access to and from the proposed easements. CNP will use these easements, as shown on the attached sketches, for the purposes of erecting, installing, operating, maintaining, replacing, inspecting and removing electrical distribution facilities. The Customer shall keep these easements free and clear of any obstructions (trees, shrubs, other structures, etc.) that may endanger or interfere with the efficiency, safety, and proper operation of the proposed facilities for the life of the service.

INDEMNIFICATION AND LIABILITY LIMITS

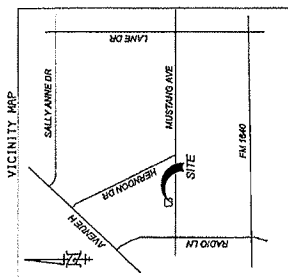
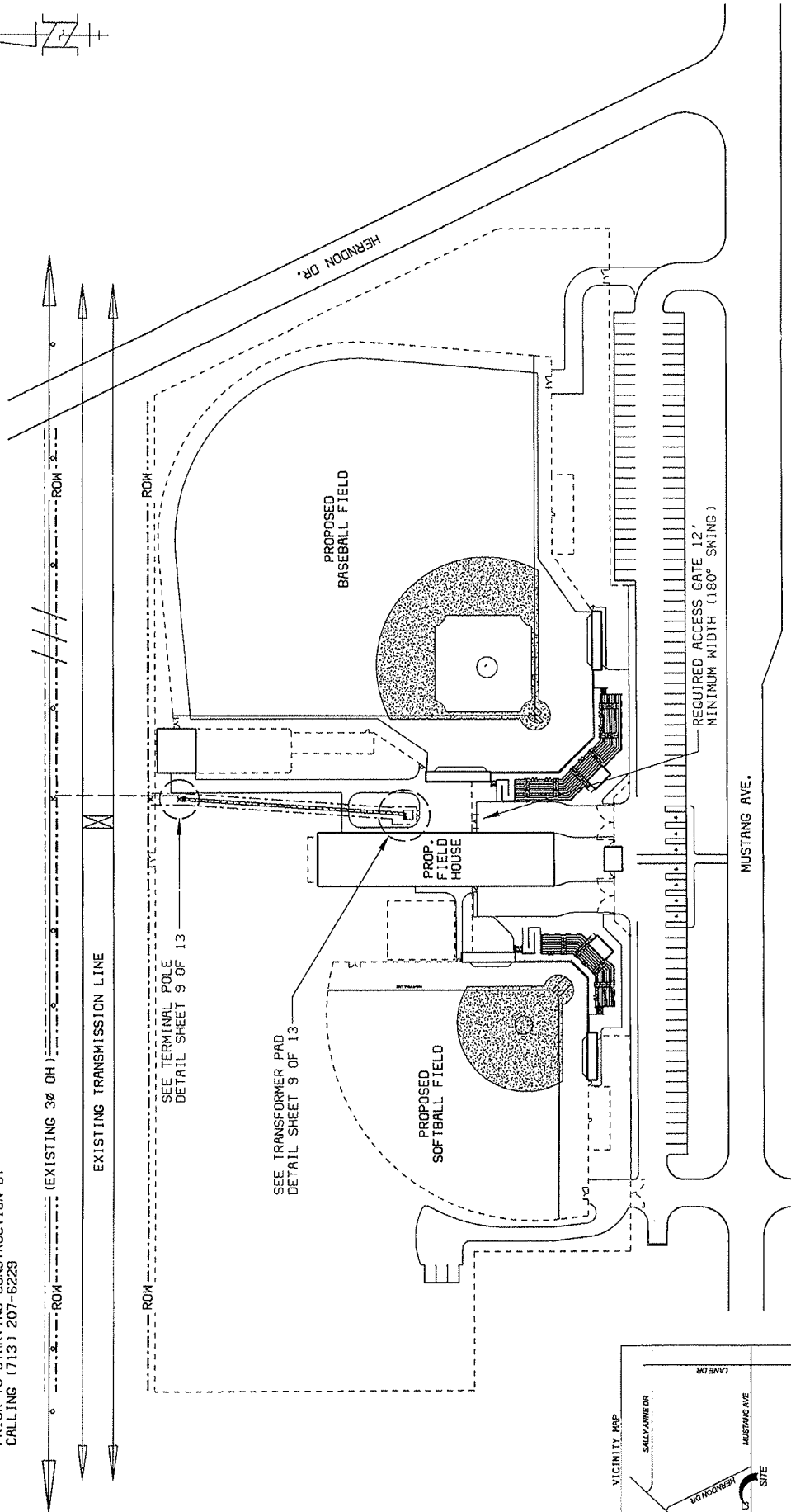
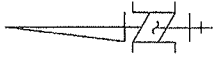
Indemnity: This indemnity is pursuant to Company's Tariff located on our website at www.centerpointenergy.com.

RETAIL CUSTOMER ASSUMES THE RISK OF AND SHALL INDEMNIFY COMPANY AGAINST DAMAGES FOR INJURIES OR DEATH TO PERSONS OR LOSS TO RETAIL CUSTOMER'S PROPERTY, OR TO THE PROPERTY OF COMPANY, WHEN OCCASIONED BY ACTIVITIES OF RETAIL CUSTOMER OR THIRD PARTIES ON CUSTOMER'S PREMISES, RESULTING FROM THE INSTALLATION, EXISTENCE, REPLACEMENT, OR REPAIR OF COMPANY'S UNDERGROUND FACILITIES, AND AS FURTHER PROVIDED IN THE TERMS OF "LIMITS ON LIABILITY," SECTIONS 4.2 AND 5.2 OF THIS TARIFF. NOTWITHSTANDING ANY OF THE ABOVE, THE PROVISIONS REQUIRING A RETAIL CUSTOMER TO INDEMNIFY, FULLY PROTECT, OR SAVE COMPANY HARMLESS APPLY TO A GOVERNMENTAL ENTITY AS THIS TERM IS DEFINED IN CHAPTER 2251 OF THE TEXAS GOVERNMENT CODE, TO THE EXTENT OTHERWISE CONSISTENT WITH LAW; PROVIDED, HOWEVER, THAT ANY GOVERNMENTAL ENTITY THAT IS A RETAIL CUSTOMER TO WHICH THIS SUBSECTION 2.5 APPLIES MUST TAKE NECESSARY STEPS TO ENSURE THAT THE INDEMNIFICATION REQUIREMENTS OF THIS SUBSECTION 2.5 DO NOT CREATE A "DEBT" IN VIOLATION OF ARTICLE XI, SECTION 7 OF THE TEXAS CONSTITUTION. SUCH STEPS MAY INCLUDE, BUT ARE NOT NECESSARILY LIMITED TO, A THIRD-PARTY INDEMNIFICATION IN WHICH THE CONTRACTOR PERFORMING THE WORK FOR THE GOVERNMENTAL ENTITY INDEMNIFIES THE COMPANY OR THE ESTABLISHMENT OF A SINKING FUND. (*See Governmental Entity Addendum if applicable.*)

GENERAL LOCATION SKETCH

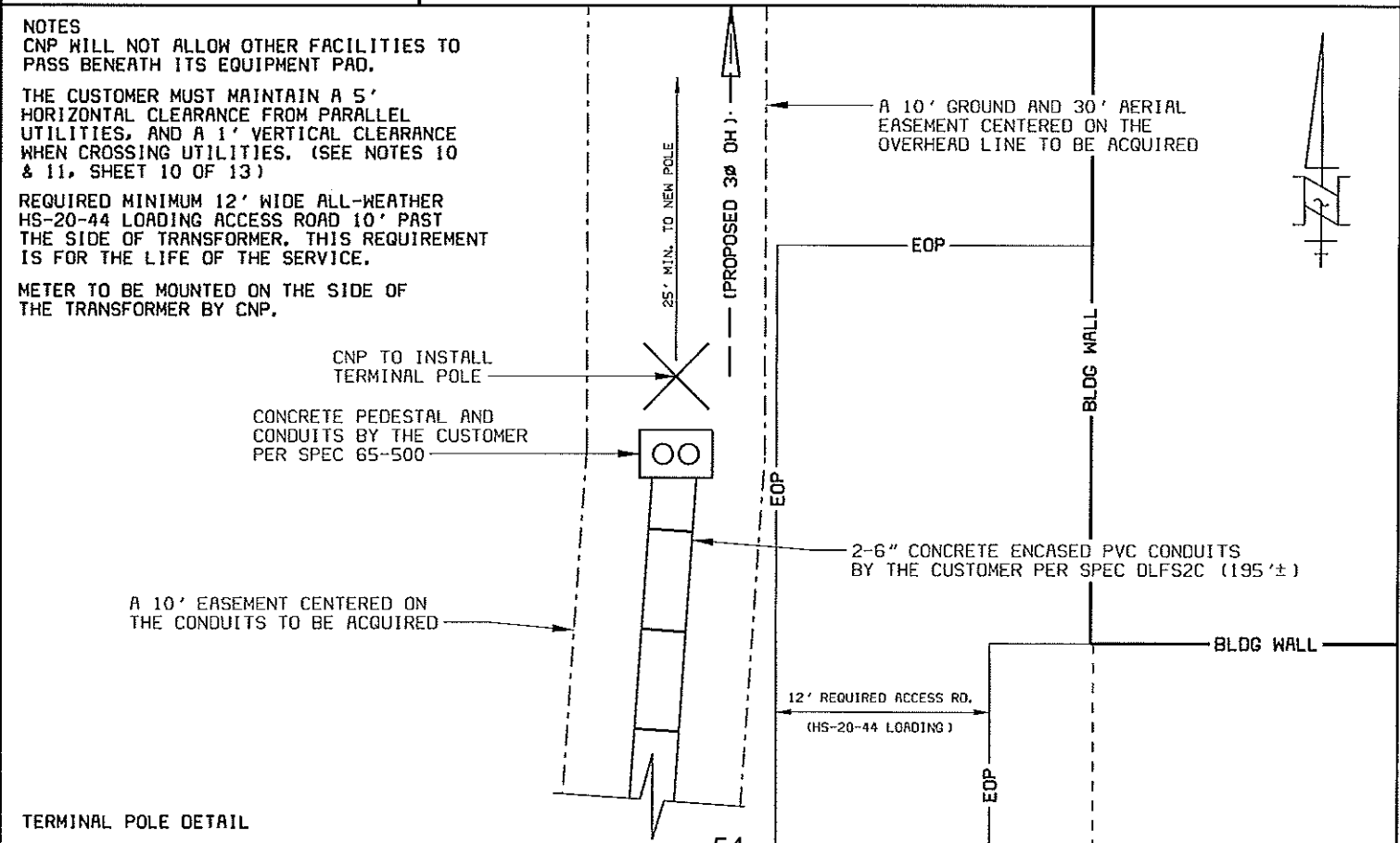
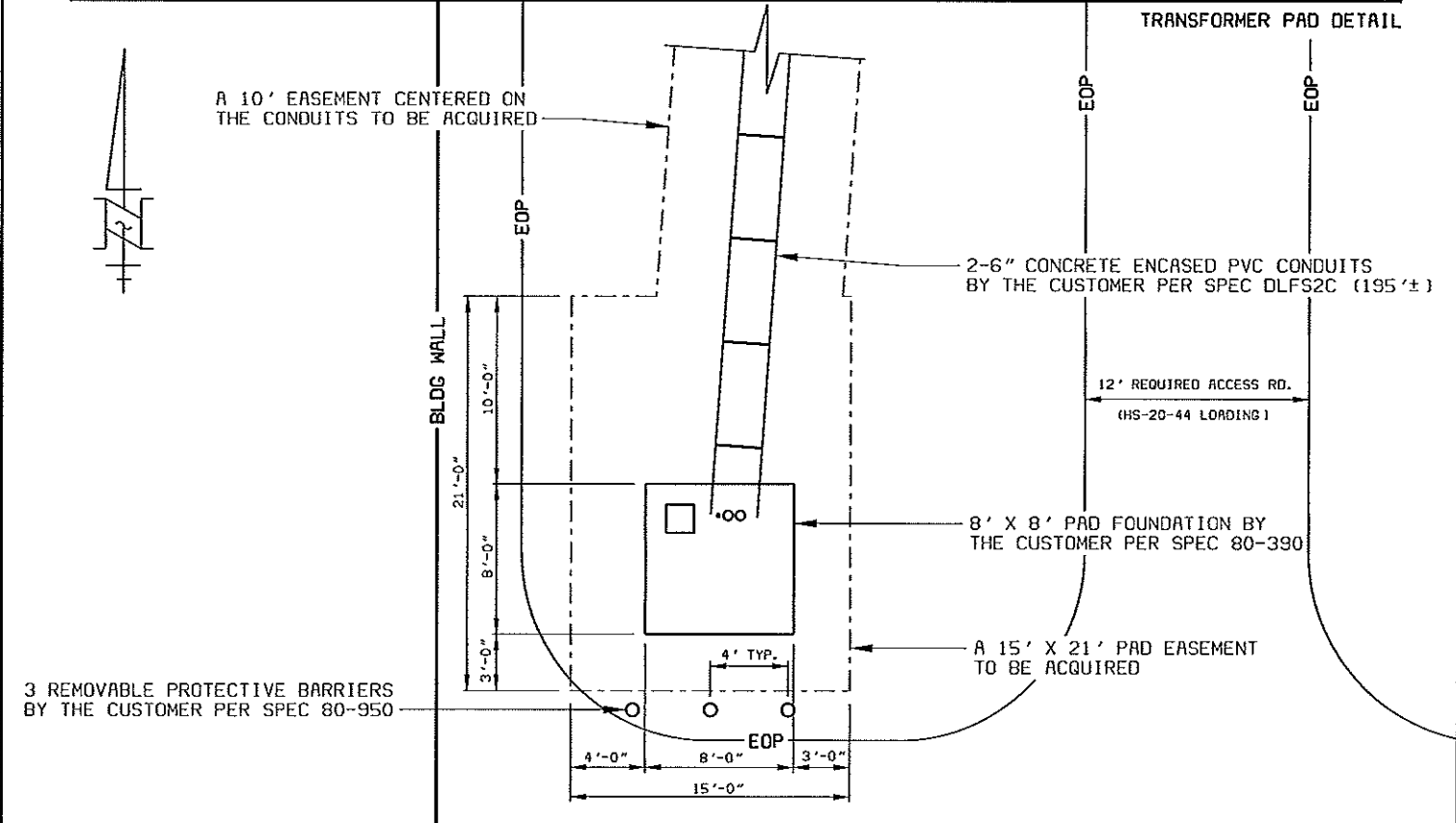
LAMBERT	SECTION	KEY MAP	FUNCTIONAL LOCATION	SCALE	CIRCUIT	ORDER NO.
4448	A1	605K	N. T. S.	N. T. S.	RE06	

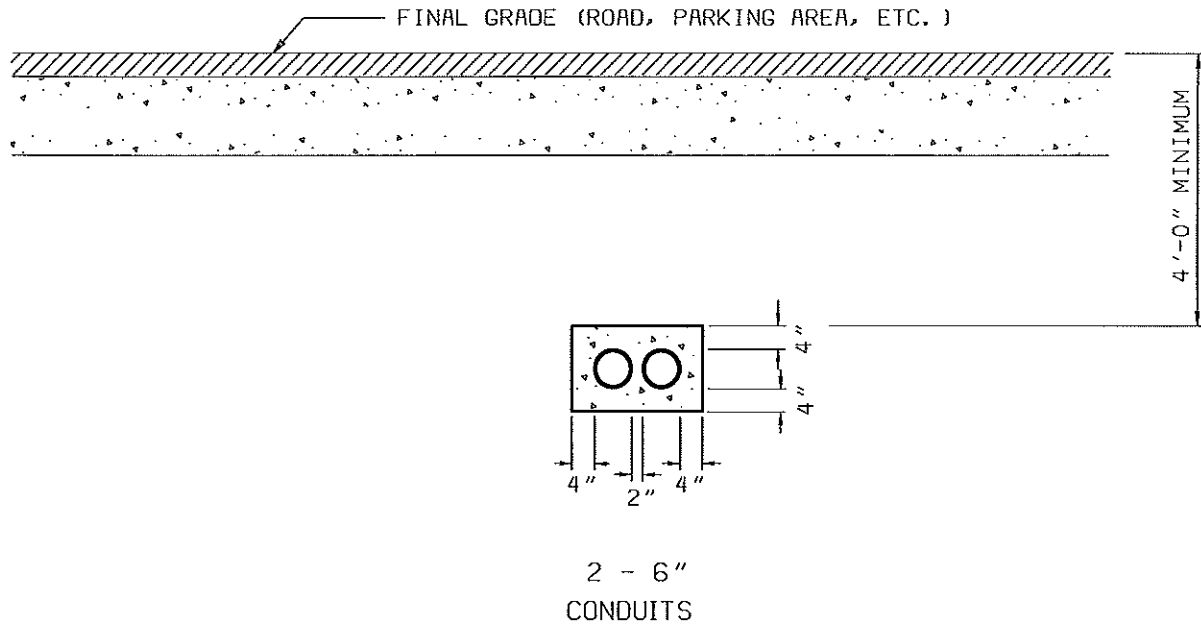
LAMAR CONSOLIDATED I. S. D. (CUSTOMER) CENTERPOINT ENERGY (CNP) TO UTILIZE AND/OR ITS CONTRACTOR IS TO THE CUSTOMER'S PARKING AND DRIVEWAY REQUEST A PRECONSTRUCTION MEETING PRIOR TO STARTING CONSTRUCTION BY CALLING (713) 207-6223



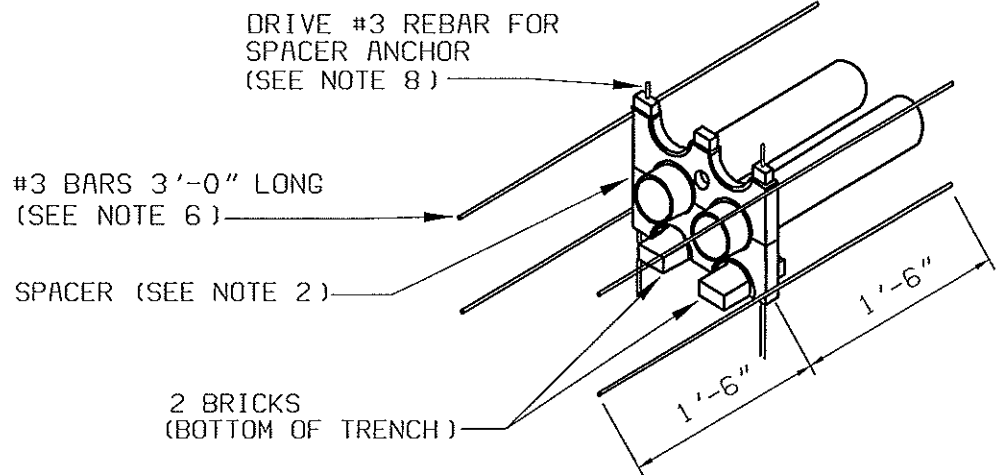
DETAIL SKETCH

LAMBERT	SECTION	KEY MAP	FUNCTIONAL LOCATION	SCALE	CIRCUIT	ORDER NO.
4448	A1	605K		N. T. S.	RE06	





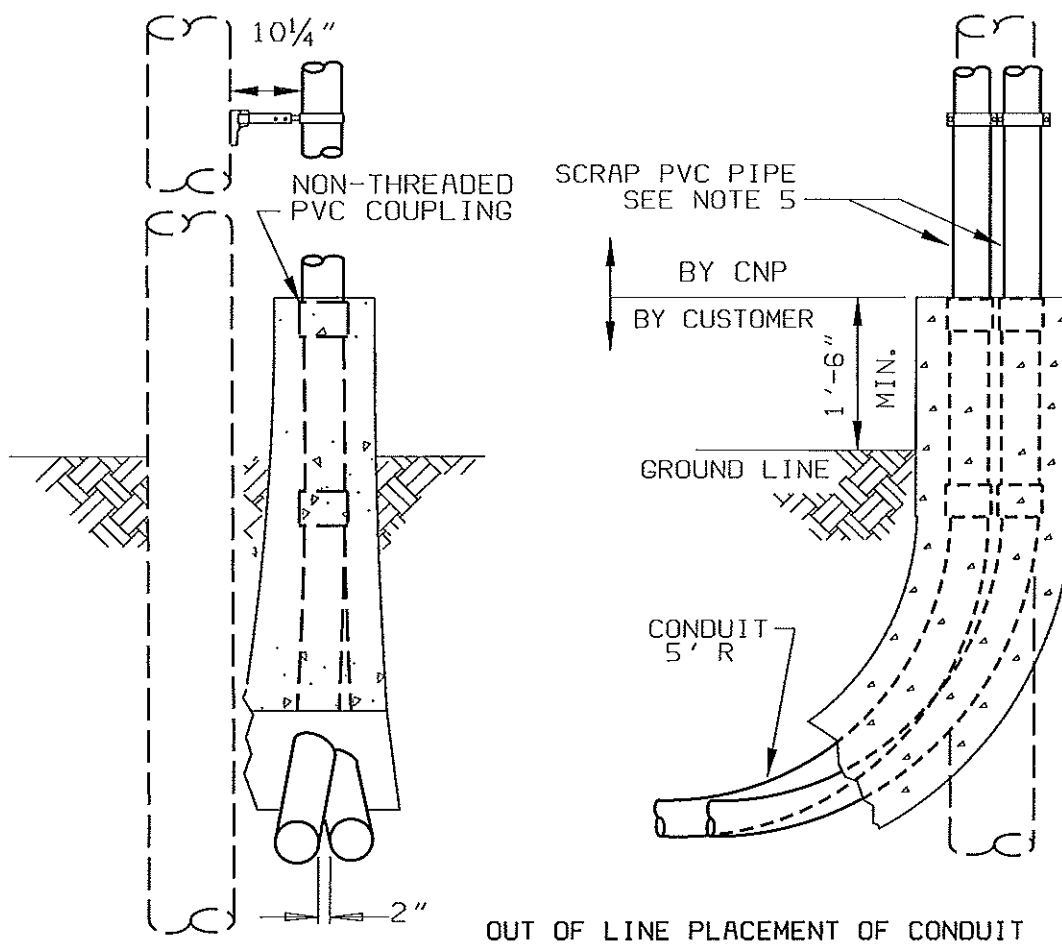
NOTE:
THE CUSTOMER AND/OR ITS CONTRACTOR
IS TO REQUEST A PRECONSTRUCTION MEETING
PRIOR TO STARTING CONSTRUCTION BY CALLING
(713) 207-6229.



NOTES:

1. CONDUIT TO BE PVC, MINIMUM GRADE TYPE EB.
2. SPACERS SHOULD BE INSTALLED NOT MORE THAN 10'-0" APART.
3. CONDUITS TERMINATING AT MANHOLES SHOULD BE SLOPED 0.5% DOWN TOWARD MANHOLE.
4. ALL EXTERIOR CONCRETE COVER DIMENSIONS ARE MINIMUM.
5. CONCRETE SHALL BE IN ACCORDANCE WITH CNP SPECIFICATION 007-221-01, LATEST REVISION.
6. PLACE REINFORCING BARS IN 4 CORNERS OF THE CONCRETE WHERE SPACERS ARE USED.
7. ON COLD JOINT CONCRETE POUR USE #5 REBAR (3'-0" IN LENGTH, EXPOSED 1'-6").
8. LENGTH OF REBAR FOR SPACER ANCHOR WILL VARY PER DUCT BANK HEIGHT.
9. CONDUITS ENDS SHALL BE PLUGGED WITH A DUCT CAP OR OTHER TYPE OF CAPPING DEVICE.
10. A ONE FOOT (1') VERTICAL CLEARANCE MUST BE MAINTAINED BETWEEN CNP'S DUCTBANK AND ALL NON-CNP FACILITIES CROSSING THE DUCTBANK.
11. A FIVE FOOT (5') HORIZONTAL CLEARANCE MUST BE MAINTAINED BETWEEN CNP'S DUCTBANK AND ALL NON-CNP FACILITIES RUNNING PARALLEL TO THE DUCTBANK (JOINT TRENCHING NOT PERMITTED).
12. INSTALL JET LINE IN ALL CONDUITS AND A #14 AWG WIRE IN ONE CONDUIT.

THREE PHASE DUCTBANK
FEEDER



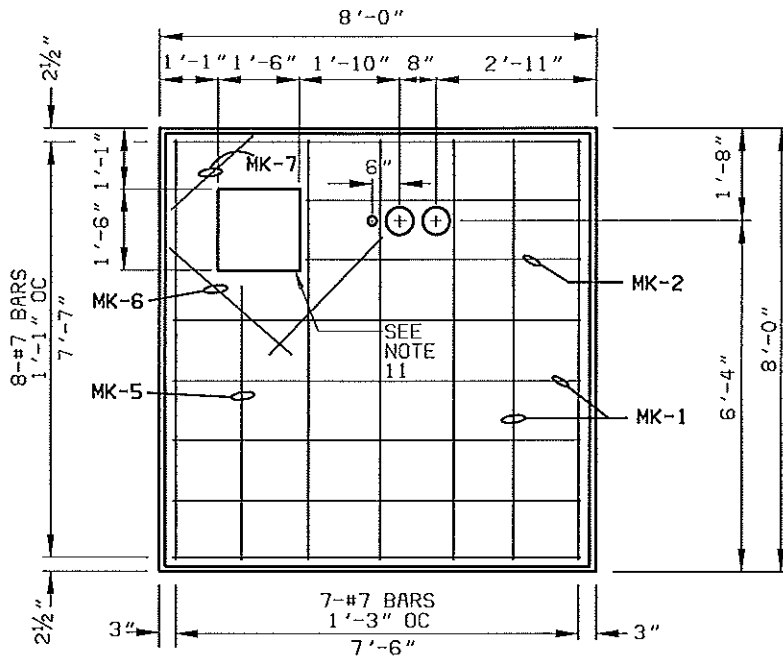
OUT OF LINE PLACEMENT OF CONDUIT

NOTES:

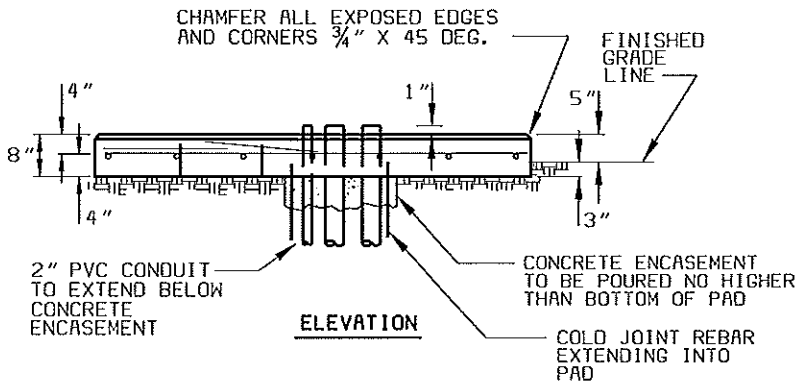
1. CONDUIT BENDS AT TERMINAL POLE SHALL BE PVC.
2. BRACE THE POLE SECURELY BEFORE TRENCHING.
3. INSTALL CONDUIT BENDS TO BASE OF POLE. ADD PORTIONS OF STRAIGHT CONDUIT AS NECESSARY TO OBTAIN THE PROPER HEIGHT ABOVE FINAL GRADE.
4. ATTACH COUPLING TO END OF CONDUIT.
5. INSERT, BUT DO NOT GLUE, A SHORT PIECE OF SCRAP PVC CONDUIT INTO THE TOP COUPLING. TIE CONDUIT TO BRACKET.
6. FORM AREA AROUND PEDESTAL TO THE TOP OF THE COUPLING. FORM PEDESTAL SO THAT NO CONCRETE WILL CONTACT POLE.
7. AFTER INSPECTION BY CNP, POUR CONCRETE TO TOP OF COUPLINGS.
8. ALL CONDUITS SHALL HAVE A MINIMUM 4" CONCRETE COVER.

TERMINAL POLE CONDUIT
PLACEMENT 12KV & 35 KV
BASED ON DISTRIBUTION STANDARD 65-500

031986/100207



PLAN



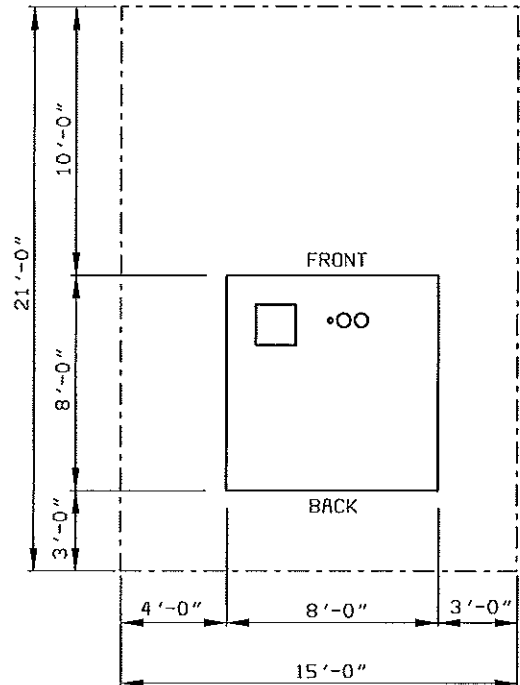
ELEVATION

NOTES:

1. CONCRETE SHALL BE IN ACCORDANCE WITH CNP SPECIFICATION 007-221-01, LATEST REVISION (MINIMUM COMPRESSION IN 28 DAYS, 3000 PSI).
2. REINFORCING STEEL SHALL BE INTERMEDIATE GRADE DEFORMED BARS IN ACCORDANCE WITH A.S.T.M. SPECIFICATION A-615, GRADE 60, OR BETTER.
3. ALL SPLICES IN REINFORCING SHALL LAP A LENGTH EQUAL TO 24 BAR DIAMETERS.
4. ALL DIMENSIONS ON REINFORCING ARE TO THE CENTER OF BARS.
5. CONCRETE SHALL BE THOROUGHLY WORKED AROUND REINFORCING, ANY EMBEDDED FIXTURES AND INTO ALL CORNERS OF FORMS.
6. IF REQUIRED, GROUT SHALL BE A MIXTURE OF 1 PART CEMENT TO 2 PARTS SAND WITH ENOUGH WATER TO PRODUCE A WORKABLE MIXTURE.
7. CONCRETE IS TO BE POURED ONLY WHEN THE ATMOSPHERIC TEMPERATURE IS A MINIMUM 40° F. AND RISING.
8. STRIP BACK ALL VEGETATION AND APPROXIMATELY 3" OF TOP SOIL. REMOVE ALL LOOSE CLODS AND STONES. BACKFILL AND THOROUGHLY COMPACT ALL CONDUIT TRENCHES AND HOLES BEFORE CONCRETE IS PLACED.
9. REINFORCING SHALL HAVE A MINIMUM OF 2½" CONCRETE COVER. SLOPE PAD 1" FRONT TO BACK.
11. THE SQUARE OPENING IS FOR THE CUSTOMER'S SECONDARY CONDUITS.
12. CNP WILL NOT ALLOW OTHER FACILITIES TO PASS BENEATH ITS EQUIPMENT PADS. A ONE FOOT MINIMUM HORIZONTAL CLEARANCE SHALL BE MAINTAINED BETWEEN CNP PADS AND ALL OTHER FACILITIES.
13. THE SECONDARY OPENING IS TO BACKFILLED WITH SAND TO WITHIN 4" OF THE TOP OF THE PAD.

REINFORCING SCHEDULE PER FOUNDATION				
MARK	QTY.	SIZE	LENGTH	REMARKS
MK-1	12	#7	7'-7"	STRAIGHT
MK-2	2	#7	5'-0"	STRAIGHT
MK-3	0	#7	2'-4"	STRAIGHT
MK-4	0	#7	5'-0"	STRAIGHT
MK-5	1	#7	4'-6"	STRAIGHT
MK-6	2	#7	3'-0"	STRAIGHT
MK-7	1	#7	2'-0"	STRAIGHT

MATERIAL ESTIMATE PER FOUNDATION	
DESCRIPTION	QTY.
REINFORCING STEEL #7	232 LBS
CONCRETE (5 SACK)	1¾ CU. YDS.
2" PVC CONDUIT	5 FT
TYPE EB OR BETTER PVC CONDUIT, 90 DEG, 60" R	2

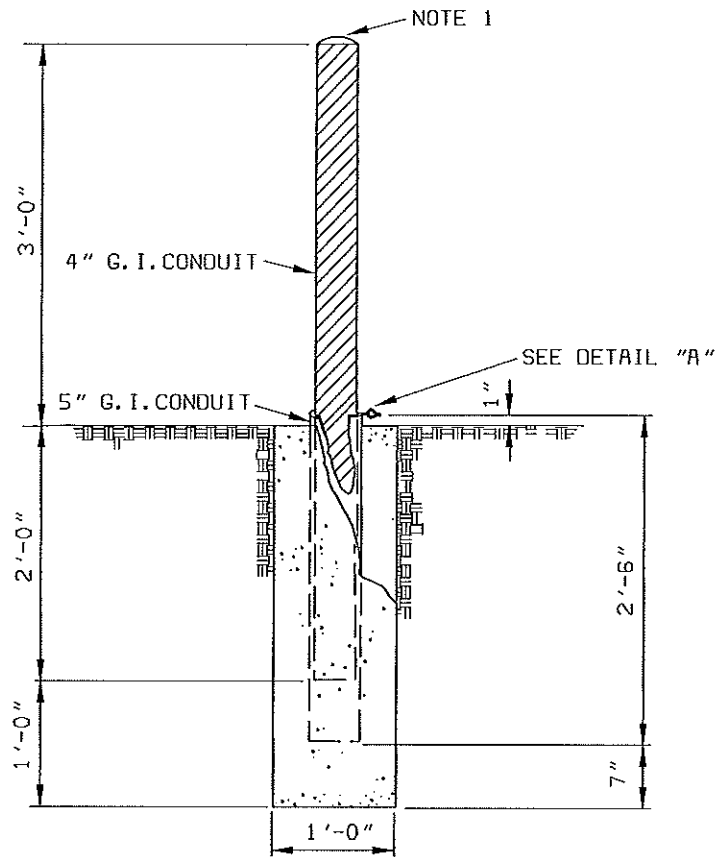


MINIMUM EASEMENT REQUIREMENTS

EQUIPMENT WEIGHT
20,000 LBS
MAXIMUM

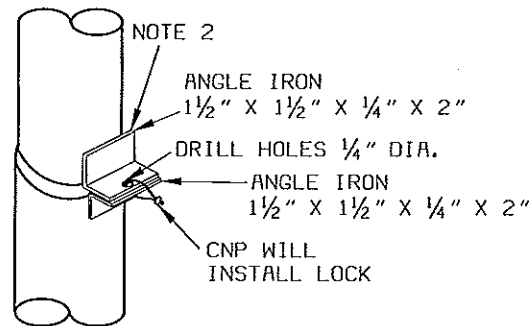
150-1000 KVA, 3 PHASE
PMT FOUNDATION, 12KV & 35 KV
(SPECIAL APPLICATION)

BASED ON DISTRIBUTION STANDARD 80-390



**PROTECTIVE BARRIER
(REMOVABLE)**

INSTALL ON
APPROXIMATELY
4' CENTERS
AS SPECIFIED
ON SKETCH



DETAIL "A"

NOTES:

1. 4" G.I. CONDUIT TO BE FILLED WITH CONCRETE.
2. ANGLE TO BE WELDED TO G.I. CONDUIT. ALL EXPOSED METAL TO BE PAINTED WITH GALVANOX PAINT.
3. SEAL GAP BETWEEN CONDUITS WITH DUCT SEAL FOR WATER TIGHT FIT.
4. USE 5" PLUG TO PREVENT CONCRETE FROM COMING UP 5" G.I. CONDUIT.

**PROTECTIVE BARRIER
(REMOVABLE)**

BASED ON DISTRIBUTION STANDARD 80-950

ADDENDUM TO “TERMS AND CONDITIONS TO UNDERGROUND ELECTRIC SERVICE”

This Addendum is dated as of the Effective Date (as defined below) and is between CENTERPOINT HOUSTON ELECTRIC, LLC (the “Company”) and LAMAR CONSOLIDATED I.S.D. (“Customer”). The Company and Customer are referred to in this Addendum individually as a “Party” and collectively as the “Parties.”

Customer is the owner and operator of the LAMAR CONSOLIDATED HIGH SCHOOL BASEBALL/SOFTBALL COMPLEX at 4606 MUSTANG AVE (“Property”). (“Facilities”) shall mean any facilities, equipment, cable, or other material referred to in the Agreement installed and owned by the customer or his contractor at 4606 MUSTANG AVE.

Contemporaneously with the execution of this Addendum, Customer and the Company are entering into THE TERMS AND CONDITIONS TO UNDERGROUND ELECTRIC SERVICE (the “Agreement”) under which underground electric service will be provided to the Facility. “Effective Date” means the date that the Agreement is signed, as indicated by the date next to the customer signature on the cover sheet of the Agreement.

Because of certain laws and regulations applicable to Customer, the Parties desire to set forth their understanding regarding those laws and regulations and the related allocation of certain risks and liabilities between them.

The Parties therefore agree as follows:

1. Applicability. This Addendum is being executed in connection with and will be deemed to be a part of the Agreement. No provision of the Agreement stating that the Agreement contains the entire understanding of the Parties with respect to its subject matter or other provision in the Agreement of the type typically referred to as a “merger clause” will apply to this Addendum. To the extent that the terms and provisions of this Addendum conflict with the terms and provisions of the Agreement, the terms and provisions of this Addendum control. Notwithstanding the execution of this Addendum, the Agreement remains in full force and effect, except as otherwise provided in this Addendum.

2. Customer as Governmental Entity.

(a) Customer represents and warrants that it is a governmental entity, and that as a governmental entity it is subject to constitutional and statutory limitations on its ability to be bound by certain terms and conditions of the Agreement, which may include terms and conditions relating to: liens on government property; disclaimers and limitations of warranties; disclaimers and limitations of liability for damages; waivers, disclaimers, and limitations on legal rights, remedies, requirements, commitment of future funding, and processes; limitations of time in which to bring legal action; control of litigation or dispute resolution; indemnities; and confidentiality of information, and to the extent that any provisions of the Agreement, including this Addendum, would violate any such restrictions, the Customer will not be bound by such provisions. Any terms or provisions of this Addendum that are less restrictive than those in the Agreement with respect to Customer’s obligations will be null and void and will have no force or

effect if the representation and warranty that Customer is a governmental entity is not true or to the extent that the more restrictive term in the Agreement would be enforceable against Customer under Applicable Laws (as defined below).

(b) Terms and conditions in the Agreement relating to limitations of the type described in Section 2(a) will only be binding on Customer to the extent they are valid and enforceable under all applicable laws, including all state and federal laws, rules and regulations, the constitutions of the United States and the State of Texas and the laws of the United States and the State of Texas ("Applicable Laws").

3. Maintenance. Except to the extent expressly set forth in a written agreement between the Parties, the Company will not be required to maintain equipment, cable, or other material that is owned by Customer. Customer acknowledges that it is Customer's sole responsibility to follow the proper administrative or internal procedures to cause its Facilities and any related equipment to be properly maintained. Customer also acknowledges that Company reserves the right, in accordance with Company Tariff, to discontinue service if Customer has failed, or the Company has determined, in its sole discretion, that Customer has failed, to maintain the Property and facilities or any related equipment, cable or other material in a manner that causes or could cause a safety hazard to person or property.

4. Installation. Customer understands that all facilities, equipment, cable and other material referred to in the Agreement must comply with all specifications set forth in said Agreement and the Permanent Easement and/or Right to Pull before the Company installs any equipment or provides electrical service. During the installation of any equipment to be installed by the Company under the Agreement, the Company will use every effort to preserve Customer's landscaping, parking areas, or other facilities. However, any cost that has been quoted to Customer does not include any special replacements or repairs to these items. The Company shall not be responsible for any expenses associated with replacements or repairs to Customer's property, and Customer hereby waives any claims for such expenses that it has or may have against the Company.

5. INDEMNIFICATION. This indemnity is pursuant to Company's Tariff located on our website at www.centerpointenergy.com.

CUSTOMER ASSUMES THE RISK OF AND SHALL INDEMNIFY COMPANY AGAINST DAMAGES FOR INJURIES OR DEATH TO PERSONS OR LOSS TO CUSTOMER'S PROPERTY, OR TO THE PROPERTY OF COMPANY, WHEN OCCASIONED BY ACTIVITIES OF CUSTOMER OR THIRD PARTIES ON CUSTOMER'S PREMISES, RESULTING FROM THE INSTALLATION, EXISTENCE, REPLACEMENT, OR REPAIR OF COMPANY'S UNDERGROUND FACILITIES, AND AS FURTHER PROVIDED IN THE TERMS OF "LIMITS ON LIABILITY," SECTION 5.2 OF COMPANY'S TARIFF. NOTWITHSTANDING ANY OF THE ABOVE, THE PROVISIONS REQUIRING A CUSTOMER TO INDEMNIFY, FULLY PROTECT, OR SAVE COMPANY HARMLESS APPLY TO A GOVERNMENTAL ENTITY AS THIS TERM IS DEFINED IN CHAPTER 2251 OF THE TEXAS GOVERNMENT CODE, TO THE EXTENT OTHERWISE CONSISTENT WITH LAW; PROVIDED, HOWEVER, THAT ANY GOVERNMENTAL ENTITY THAT IS RECEIVING SERVICES UNDER THE AGREEMENT MUST TAKE

NECESSARY STEPS TO ENSURE THAT THE INDEMNIFICATION REQUIREMENTS OF THIS SECTION DO NOT CREATE A "DEBT" IN VIOLATION OF ARTICLE XI, SECTION 7 OF THE TEXAS CONSTITUTION. SUCH STEPS MAY INCLUDE, BUT ARE NOT NECESSARILY LIMITED TO, A THIRD-PARTY INDEMNIFICATION IN WHICH THE CONTRACTOR PERFORMING THE WORK FOR THE GOVERNMENTAL ENTITY INDEMNIFIES THE COMPANY OR THE ESTABLISHMENT OF A SINKING FUND. *SEE BROWN V. JEFFERSON COUNTY, 406 S.W.2D 185 (TEX. 1966).*

6. Further Assurances. If at any time after the date of this Addendum any further action is necessary or appropriate to carry out the purposes of this Addendum, Customer shall use all commercially reasonable efforts to take, or cause to be taken, that action.

7. Assignment. Customer shall not assign any part of its rights or delegate any performance under this Addendum, voluntarily or involuntarily, whether by merger, consolidation, dissolution, operation of law, or any other manner, without the Company's prior written consent. Any purported assignment of rights or delegation of performance in violation of this Section 6 is void and of no effect.

8. Modification; Waiver. No amendment of this Addendum will be effective unless it is in writing and signed by the Parties. No waiver of satisfaction of a condition or nonperformance of an obligation under this Addendum will be effective unless it is in writing and signed by the Party granting the waiver, and no such waiver will constitute a waiver of satisfaction of any other condition or nonperformance of any other obligation. To be valid, any document signed by a Party in accordance with this Section 7 must be signed by an officer or other representative of that Party authorized to do so.

In addition, nothing in this Addendum or the Agreement shall be construed as a waiver or relinquishment by the Company of any right that it has or may have hereafter to discontinue service for or on account of default in the performance of Customer's obligations under this Addendum or the Agreement, including payment of any bill owing or to become owing thereafter, or for any other reason or cause stated in the Company's Tariff.

[The remainder of this page has been intentionally left blank.]

The Parties are signing this Addendum as of the Effective Date.

COMPANY:

CENTERPOINT ENERGY HOUSTON
ELECTRIC, LLC

By: Richard Gaido
Name: Richard Gaido P.E.
Title: Lead Engineer

CUSTOMER:

LAMAR CONSOLIDATED I.S.D.

By signing this Addendum, the person purporting to sign this Addendum on behalf of Customer is representing and warranting to the Company that the person has the legal authority to bind Customer and has been duly authorized by Customer to sign and deliver this Addendum to the Company.

By: _____
Name: _____
Title: _____

**CONSIDER APPROVAL OF PROFESSIONAL SURVEYING SERVICES
FOR TRAVIS ELEMENTARY**

RECOMMENDATION:

That the Board of Trustees approve Charlie Kalkomey Surveying Inc. for professional surveying services (land survey) for the renovations to Travis Elementary not to exceed the amount of \$7,840.

IMPACT RATIONALE:

Professional surveying services is a professional service that the District must contract directly. These funds were allocated within the 2011 Bond Funds. Services include a standard topographic survey needed for the design of the renovations to Travis Elementary.

PROGRAM DESCRIPTION:

Professional surveying services will generate reports and drawings locating property boundaries, locations of easements, information on site utilities, etc. The land survey is necessary for the design and construction of the renovations to Travis Elementary.

Submitted by: J. Kevin McKeever, Administrator for Operations
Ed Bailey, Gilbane

Recommended for approval:



Dr. Thomas Randle
Superintendent

KELLY R. KALUZA & ASSOCIATES, INC.

Consulting Engineers & Surveyors
Texas Registered Engineering Firm No. F-1339
Texas Licensed Surveying Firm No. 10010000
3014 Avenue I, Rosenberg, Texas 77471
(281) 341-0808 ■ FAX (281) 341-6333

Revised October 30, 2013
October 23, 2013

Ms. Stephanie Roberts
Gilbane Building Company
1002 ½ E. Stadium Drive
Rosenberg, Texas 77471

RE: Surveying Proposal for Partial Topographic Survey at Travis Elementary School, City of Rosenberg, Fort Bend County, Texas

Dear Ms. Roberts:

We propose to render professional surveying services in connection with the above referenced project (hereinafter referred to as the "Project"). It is our understanding that you will furnish us with full information as to your requirements of land use, including any special services needed, and also to make available pertinent existing data.

Kelly R. Kaluza & Associates, Inc. proposes to provide the necessary surveying services to complete the project in accordance with the following scope of work:

Scope of Work

- I. Travis Elementary Driveway and Parking Lot Addition Partial Topographic Survey**
Research in the County Clerk's Office to obtain Deed Record descriptions of the tract to be surveyed and the adjoining tracts of partial topographic survey area; Office calculations necessary to check location of the boundary lines in relation to features found during the course of the partial topographic survey; Tie elevations to mean sea level datum; Establish temporary benchmark on site; Obtain elevation onsite on 50 foot grid system; Location of existing buildings, parking areas, power lines, and existing improvements; Obtain elevations and cross-section of existing drainage swales and roadway adjoining the property; Location of utilities adjacent to site; Show approximate location of underground utilities from available record drawings from the City and School District; Preparation of plat showing topographic information; Provide owner electronic file of site plan in AutoCAD 2000 format; and Furnish Owner five (5) copies of topographic survey.

**Estimated Fee for Travis Elementary
Topographic Work = \$ 7,840.00**

It is understood the owner will furnish a copy of each deed and record drawings for the property to be surveyed prior to commencement of work.

The work on the topographic survey can commence within five (5) days of the receipt of a copy of this proposal signed by an officer and receipt of record drawings provided by the owner, but completion will depend on the Architect's requirements and scheduling.

Ms. Stephanie Roberts
Gilbane Building Company
Revised October 30, 2013
October 23, 2013
Page Two (2)

Total surveying fees for completion of all work described in the foregoing pages are **not to exceed** the specified amount, provided the Owner does not make major changes and/or additions to the design work. Any additional services will be billed at the hourly rates as shown on the attached Exhibit "A". Billings for services rendered will be made monthly, and payment is requested within fifteen (15) days from receipt of invoice. Unless special arrangements are made, a finance charge of 1.5% per month will be added to unpaid balances more than thirty (30) days old.

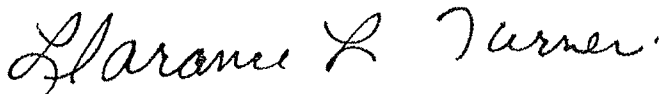
Kelly R. Kaluza & Associates, Inc. makes no warranty, either express or implied, as to its services, including preparation of plans and specifications, cost estimates, surveys, or professional advice, except that they are prepared, issued, and performed in accordance with generally accepted professional engineering and surveying practices. Owner agrees that the liability of Kelly R. Kaluza & Associates, Inc. for any negligence, error, or omission in connection with the services provided shall not exceed the total compensation for said services. Additionally, it is the desire of our firm to comply with other applicable Federal, State, and local laws during the execution of this contract.

This proposal and Exhibit "A" attached represent the entire understanding between you and this firm in respect to the Project, and may only be modified in writing signed by both of us. If this proposal satisfactorily sets forth your understanding of the arrangement between us, we would appreciate you signing this proposal in the space provided below and returning the signed copy to us.

Thank you for this opportunity to be of assistance to you. We look forward to working with you on this project.

Cordially,

KELLY R. KALUZA & ASSOCIATES, INC.



Clarence L. Turner, R.P.L.S.
President

LLT/lao

Attachment

Accepted - Title

Date

Exhibit "A"

SCHEDULE OF HOURLY CHARGES BY PERSONNEL CLASSIFICATION

Effective June, 2013

**KELLY R. KALUZA & ASSOCIATES, INC.
CONSULTING ENGINEERS, SURVEYORS, AND PLANNERS**

The charges for professional Engineering, Surveying, and Drafting services are based on the following daily or hourly rates:

ENGINEERING, SURVEYING, AND DRAFTING

Principal.....	\$ 175.00/Hour
Sr. Project Manager.....	\$ 150.00/Hour
Project Manager.....	\$ 145.00/Hour
Survey Manager.....	\$ 140.00/Hour
Project Engineer.....	\$ 110.00/Hour
Project Surveyor.....	\$ 90.00/Hour
Sr. Designer.....	\$ 90.00/Hour
Designer.....	\$ 80.00/Hour
CAD Technician.....	\$ 70.00/Hour
Contract Coordinator.....	\$ 65.00/Hour
Secretarial.....	\$ 60.00/Hour
Field Party (2 Men).....	\$ 120.00/Hour
Field Party (3 Men).....	\$ 140.00/Hour
Field Party (4 Men).....	\$ 150.00/Hour
Construction Observation.....	\$ 750.00/Day

ADDITIONAL EXPENSES

1. Reproduction Work - At prevailing commercial rate.
2. Field Note Descriptions - \$70.00/Set.
3. ATV Rental - \$115.00/Day.
4. Other Consultants - At cost plus 10% for handling.
5. All Other Expenses - At cost plus 10% for handling.
6. Global Positioning System (GPS) Surveying an additional charge of \$25.00 per hour will be charged for equipment.

Charges are due and payable within thirty (30) days after receipt of invoice.
Interest will be charged at the rate of 1.5% per month for late payments.

KELLY R. KALUZA & ASSOCIATES, INC.

3014 AVENUE I

ROSENBERG, TEXAS 77471

Phone: (281) 341-0808

Fax: (281) 341-6333

Email: kkaluza@kellykaluza.com

Rates Subject to Change

06/13

**CONSIDER APPROVAL OF PROFESSIONAL SURVEYING SERVICES
FOR THE ALTERNATIVE LEARNING CENTER**

RECOMMENDATION:

That the Board of Trustees approve Charlie Kalkomey Surveying Inc. for professional surveying services (land survey) for the renovations to the Alternative Learning Center not to exceed the amount of \$11,360.

IMPACT RATIONALE:


Professional surveying services is a professional service that the District must contract directly. These funds were allocated within the 2011 Bond Funds. Services include a standard topographic survey needed for the design of the renovations to the Alternative Learning Center.

PROGRAM DESCRIPTION:

Professional surveying services will generate reports and drawings locating property boundaries, locations of easements, information on site utilities, etc. The land survey is necessary for the design and construction of the renovations to the Alternative Learning Center.

Submitted by: J. Kevin McKeever, Administrator for Operations
Ed Bailey, Gilbane

Recommended for approval:



Dr. Thomas Randle
Superintendent

KELLY R. KALUZA & ASSOCIATES, INC.

Consulting Engineers & Surveyors
Texas Registered Engineering Firm No. F-1339
Texas Licensed Surveying Firm No. 10010000
3014 Avenue I, Rosenberg, Texas 77471
(281) 341-0808 ■ FAX (281) 341-6333

October 23, 2013

Ms. Stephanie Roberts
Gilbane Building Company
1002 ½ E. Stadium Drive
Rosenberg, Texas 77471

RE: Surveying Proposal for Topographic Survey at Lamar Independent School District - Alternative Learning Center, City of Rosenberg, Fort Bend County, Texas

Dear Ms. Roberts:

We propose to render professional surveying services in connection with the above referenced project (hereinafter referred to as the "Project"). It is our understanding that you will furnish us with full information as to your requirements of land use, including any special services needed, and also to make available pertinent existing data.

Kelly R. Kaluza & Associates, Inc. proposes to provide the necessary surveying services to complete the project in accordance with the following scope of work:

Scope of Work

- I. Lamar Independent School District - Alternative Learning Center Topographic Survey**
Research in the County Clerk's Office to obtain Deed Record descriptions of the tract to be surveyed and the adjoining tracts of topographic survey area; Office calculations necessary to check location of the boundary lines in relation to features found during the course of the topographic survey; Tie elevations to mean sea level datum; Establish temporary benchmark on site; Obtain elevation onsite on 50 foot grid system; Location of existing buildings, parking areas, power lines, and existing improvements; Obtain elevations and cross-section of existing drainage swales and roadway adjoining the property; Location of utilities adjacent to site; Show approximate location of underground utilities from available record drawings from the City and School District; Preparation of plat showing topographic information; Provide owner electronic file of site plan in AutoCAD 2000 format; and Furnish Owner five (5) copies of topographic survey.

**Estimated Fee for Alternative Learning Center
Topographic Work = \$ 11,360.00**

It is understood the owner will furnish a copy of each deed and record drawings for the property to be surveyed prior to commencement of work.

The work on the topographic survey can commence within five (5) days of the receipt of a copy of this proposal signed by an officer and receipt of record drawings provided by the owner, but completion will depend on the Architect's requirements and scheduling.

Ms. Stephanie Roberts
Gilbane Building Company
October 23, 2013
Page Two (2)

Total surveying fees for completion of all work described in the foregoing pages are **not to exceed** the specified amount, provided the Owner does not make major changes and/or additions to the design work. Any additional services will be billed at the hourly rates as shown on the attached Exhibit "A". Billings for services rendered will be made monthly, and payment is requested within fifteen (15) days from receipt of invoice. Unless special arrangements are made, a finance charge of 1.5% per month will be added to unpaid balances more than thirty (30) days old.

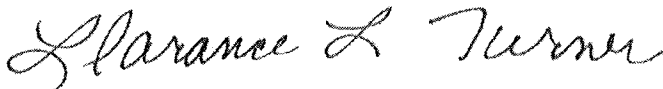
Kelly R. Kaluza & Associates, Inc. makes no warranty, either express or implied, as to its services, including preparation of plans and specifications, cost estimates, surveys, or professional advice, except that they are prepared, issued, and performed in accordance with generally accepted professional engineering and surveying practices. Owner agrees that the liability of Kelly R. Kaluza & Associates, Inc. for any negligence, error, or omission in connection with the services provided shall not exceed the total compensation for said services. Additionally, it is the desire of our firm to comply with other applicable Federal, State, and local laws during the execution of this contract.

This proposal and Exhibit "A" attached represents the entire understanding between you and this firm in respect to the Project, and may only be modified in writing signed by both of us. If this proposal satisfactorily sets forth your understanding of the arrangement between us, we would appreciate you signing this proposal in the space provided below and returning the signed copy to us.

Thank you for this opportunity to be of assistance to you. We look forward to working with you on this project.

Cordially,

KELLY R. KALUZA & ASSOCIATES, INC.



Llarance L. Turner, R.P.L.S.
President

LLT/lao

Attachment

Accepted - Title

Date

Exhibit "A"

SCHEDULE OF HOURLY CHARGES BY PERSONNEL CLASSIFICATION
Effective June, 2013

KELLY R. KALUZA & ASSOCIATES, INC.
CONSULTING ENGINEERS, SURVEYORS, AND PLANNERS

The charges for professional Engineering, Surveying, and Drafting services are based on the following daily or hourly rates:

ENGINEERING, SURVEYING, AND DRAFTING

Principal.....	\$ 175.00/Hour
Sr. Project Manager.....	\$ 150.00/Hour
Project Manager.....	\$ 145.00/Hour
Survey Manager.....	\$ 140.00/Hour
Project Engineer.....	\$ 110.00/Hour
Project Surveyor.....	\$ 90.00/Hour
Sr. Designer.....	\$ 90.00/Hour
Designer.....	\$ 80.00/Hour
CAD Technician.....	\$ 70.00/Hour
Contract Coordinator.....	\$ 65.00/Hour
Secretarial.....	\$ 60.00/Hour
Field Party (2 Men).....	\$ 120.00/Hour
Field Party (3 Men).....	\$ 140.00/Hour
Field Party (4 Men).....	\$ 150.00/Hour
Construction Observation.....	\$ 750.00/Day

ADDITIONAL EXPENSES

1. Reproduction Work - At prevailing commercial rate.
2. Field Note Descriptions - \$70.00/Set.
3. ATV Rental - \$115.00/Day.
4. Other Consultants - At cost plus 10% for handling.
5. All Other Expenses - At cost plus 10% for handling.
6. Global Positioning System (GPS) Surveying an additional charge of \$25.00 per hour will be charged for equipment.

Charges are due and payable within thirty (30) days after receipt of invoice.
Interest will be charged at the rate of 1.5% per month for late payments.

KELLY R. KALUZA & ASSOCIATES, INC.

3014 AVENUE I

ROSENBERG, TEXAS 77471

Phone: (281) 341-0808

Fax: (281) 341-6333

Email: kkaluza@kellykaluza.com

Rates Subject to Change

06/13

**CONSIDER APPROVAL OF DEDUCTIVE CHANGE ORDER #1 AND FINAL
PAYMENT FOR THE NEW JUDGE JAMES C. ADOLPHUS ELEMENTARY,
THE NEW POLLY RYON MIDDLE SCHOOL, AND
THE GEORGE RANCH HIGH SCHOOL SHELL SPACE**

RECOMMENDATION:

That the Board of Trustees approve the deductive change order #1 in the amount of \$121,907.60 and final payment of \$624,675.17 for the new Judge James C. Adolphus Elementary and \$615,533.75 for the new Polly Ryon Middle School to Drymalla Construction Company.

IMPACT/RATIONALE:

Drymalla Construction Company was the contractor for the construction of the new Judge James C. Adolphus Elementary and Polly Ryon Middle School. Funding for this project came from the 2011 Bond Funds. Substantial completion was taken on May 31, 2013.

PROGRAM DESCRIPTION:

Upon approval, Drymalla Construction Company will be paid 100% for the construction of the new Judge James C. Adolphus Elementary and Polly Ryon Middle School.

Submitted by: J. Kevin McKeever, Administrator for Operations
Ed Bailey, Gilbane

Recommended for approval:



Dr. Thomas Randle
Superintendent

DRAFT AIA® Document G701™ - 2001

Change Order

PROJECT (Name and address):
 New Polly Ryon 6th Grade Campus
 7901 FM 762
 Richmond, Texas 77406

Judge James C. Adolphus Elementary
 School (ES No. 22)
 7910 Winston Ranch Parkway
 Richmond, Texas 77406

TO CONTRACTOR (Name and address):
 Drymalla Construction Company, LTD.
 608 Harbert Street
 Columbus, Texas 78934

CHANGE ORDER NUMBER: 001
 DATE: November 8, 2013

ARCHITECT'S PROJECT NUMBER: 1145
 CONTRACT DATE: March 22, 2012
 CONTRACT FOR: General Construction

OWNER:
 ARCHITECT:
 CONTRACTOR:
 FIELD:
 OTHER:

THE CONTRACT IS CHANGED AS FOLLOWS:

(Include, where applicable, any undisputed amount attributable to previously executed Construction Change Directives)

Credit remaining Allowances to Lamar Consolidated ISD for:
 Polly Ryon 6th Grade Campus \$50,825.00
 George Ranch Shell Build Out \$ 8,586.00
 Adolphus Eeementary School (ES #22): \$62,496.60

The original Contract Sum was
 The net change by previously authorized Change Orders
 The Contract Sum prior to this Change Order was
 The Contract Sum will be decreased by this Change Order in the amount of
 The new Contract Sum including this Change Order will be

\$	26,079,000.00
\$	
\$	26,079,000.00
\$	121,907.60
\$	25,957,092.40

The Contract Time will be unchanged by Zero (0) days.
 The date of Substantial Completion as of the date of this Change Order therefore is unchanged

NOTE: This Change Order does not include changes in the Contract Sum, Contract Time or Guaranteed Maximum Price which have been authorized by Construction Change Directive until the cost and time have been agreed upon by both the Owner and Contractor, in which case a Change Order is executed to supersede the Construction Change Directive.

NOT VALID UNTIL SIGNED BY THE ARCHITECT, CONTRACTOR AND OWNER.

PBK Architects, Inc.

ARCHITECT (Firm name)

11 Greenway Plaza, Suite 2210,
 Houston, Texas 77046

ADDRESS

BY (Signature)

Rick Blan, AIA, LEED AP

(Typed name)

DATE

Drymalla Construction Company, LTD.

CONTRACTOR (Firm name)

608 Harbert Street,
 Columbus, Texas 78934

ADDRESS

BY (Signature)

Rusty Klaus, Vice President

(Typed name)

DATE

Lamar Consolidated Independent School
 District

OWNER (Firm name)

3911 Avenue I,
 Rosenberg, Texas 77471

ADDRESS

BY (Signature)

Ms. Julie Thompson, President, LCISD
 Board of Trustees

(Typed name)

DATE

APPLICATION AND CERTIFICATION FOR PAYMENT

TO OWNER LAMAR CISD PROJECT: Elementary #22

3911 Avenue I
Rosenburg, TX 77471

AIA DOCUMENT G702

APPLICATION NO: 20 Retainage

PAGES

PAGE ONE OF

Distribution to:

<input checked="" type="checkbox"/>	OWNER
<input checked="" type="checkbox"/>	ARCHITECT
<input checked="" type="checkbox"/>	CONTRACTOR
<input type="checkbox"/>	
<input type="checkbox"/>	

PERIOD TO: 10/31/13

PROJECT NO.: 4028

CONTRACT DATE:

FROM CONTRACTOR: VIA ARCHITECT: PBK Architects

Drymalla Construction Co., Inc.

P.O. Box 698
Columbus, Texas 78934

CONTRACTOR FOR: Elementary #22

CONTRACTOR'S APPLICATION FOR PAYMENT

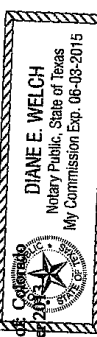
Application is made for payment, as shown below, in connection with the Contract Continuation Sheet, AIA Document G703, is attached.

1. ORIGINAL CONTRACT SUM \$ 12,556,000.00
2. Net change by Change Orders \$ (62,496.60)
3. CONTRACT SUM TO DATE (Line 1 ± 2) \$ 12,493,503.40
4. TOTAL COMPLETED & STORED TO DATE (Column G on G703) \$ 12,493,503.40
5. RETAINAGE:
 - a. % of Completed Work (Column D + E on G703) \$
 - b. % of Stored Material (Column F on G703) \$
 - Total Retainage (Lines 5a + 5b or Total in Column I of G703) \$ 0.00
6. TOTAL EARNED LESS RETAINAGE (Line 4 Less Line 5 Total) \$ 12,493,503.40
7. LESS PREVIOUS CERTIFICATES FOR PAYMENT (Line 6 from prior Certificate) \$ 11,868,828.23
8. CURRENT PAYMENT DUE \$ 624,675.17
9. BALANCE TO FINISH, INCLUDING RETAINAGE (Line 3 less Line 6) \$ 0.00

The undersigned Contractor certifies that to the best of the Contractor's knowledge, information and belief the Work covered by this Application for Payment has been completed in accordance with the Contract Documents, that all amounts have been paid by the Contractor for Work for which previous Certificates for Payment were issued and payments received from the Owner, and that current payment shown herein is now due.

CONTRACTOR: DRYMALLA CONSTRUCTION COMPANY, INC.

By: _____ Date: 10/24/13



State of Texas County of _____
Subscribed and sworn to before me this 24th day of October 2013
Notary Public _____
My Commission Expires _____

ARCHITECT'S CERTIFICATE FOR PAYMENT

In accordance with the Contract Documents, based on on-site observations and the data comprising the application, the Architect certifies to the Owner that to the best of the Architect's knowledge, information and belief the Work has progressed as indicated, the quality of the Work is in accordance with the Contract Documents, and the Contractor is entitled to payment of the AMOUNT CERTIFIED.

AMOUNT CERTIFIED \$ 624,675.17

(Attach explanation if amount certified differs from the amount applied. Initial all figures on this Application and on the Continuation Sheet that are changed to conform with the amount certified.)

ARCHITECT: PBK Architects

By: _____ Date: _____

This Certificate is not negotiable. The AMOUNT CERTIFIED is payable only to the Contractor named herein. Issuance, payment and acceptance of payment are without prejudice to any rights of the Owner or Contractor under this Contract.

CHANGE ORDER SUMMARY	ADDITIONS	DEDUCTIONS
Total changes approved in previous months by Owner	\$0.00	\$0.00
Total approved this Month	\$0.00	\$62,496.60
TOTALS	\$0.00	\$62,496.60
NET CHANGES by Change Order		(\$62,496.60)

AIA DOCUMENT G702 - APPLICATION AND CERTIFICATION FOR PAYMENT - 1992 EDITION - AIA - ©1992
THE AMERICAN INSTITUTE OF ARCHITECTS, 1735 NEW YORK AVE., N.W., WASHINGTON, DC 20006-6262

Users may obtain validation of this document by requesting a completed AIA Document D401 - Certification of Document's Authenticity from the Licensee.

APPLICATION AND CERTIFICATION FOR PAYMENT

TO OWNER LAMAR CISD PROJECT: Polly Ryan 6th Grade

3911 Avenue I
Rosenburg, TX 77471

FROM CONTRACTOR: VIA ARCHITECT: PBK Architects

Drymalla Construction Co., Inc.
P.O. Box 698
Columbus, Texas 78934

CONTRACT FOR: Polly Ryan 6th Grade

AIA DOCUMENT G702

PAGE ONE OF

PAGES

APPLICATION NO: 20 Retainage

Distribution to:

<input checked="" type="checkbox"/>	OWNER
<input checked="" type="checkbox"/>	ARCHITECT
<input checked="" type="checkbox"/>	CONTRACTOR
<input type="checkbox"/>	
<input type="checkbox"/>	

PERIOD TO: 10/31/13

PROJECT NO.: 4029

CONTRACT DATE:

CONTRACTOR'S APPLICATION FOR PAYMENT

Application is made for payment, as shown below, in connection with the Contract Continuation Sheet, AIA Document G703, is attached.

1. ORIGINAL CONTRACT SUM \$ 12,361,500.00
2. Net change by Change Orders (50,825.00)
3. CONTRACT SUM TO DATE (Line 1 ± 2) \$ 12,310,675.00
4. TOTAL COMPLETED & STORED TO DATE (Column G on G703) \$ 12,310,675.00
5. RETAINAGE:
 - a. % of Completed Work (Column D + E on G703) \$
 - b. % of Stored Material (Column F on G703) \$
 - Total Retainage (Lines 5a + 5b or Total in Column I of G703) \$ 0.00
6. TOTAL EARNED LESS RETAINAGE (Line 4 Less Line 5 Total) \$ 11,695,141.25
7. LESS PREVIOUS CERTIFICATES FOR PAYMENT (Line 6 from prior Certificate) \$ 615,533.75
8. CURRENT PAYMENT DUE \$ 0.00
9. BALANCE TO FINISH, INCLUDING RETAINAGE (Line 3 less Line 6) \$

CONTRACTOR: DRYMALLA CONSTRUCTION COMPANY, INC.

Date: 10/24/13

State of: Texas
Subscribed and sworn to before me this 24th day of October 2013
Notary Public: DJANE E. WELCH
My Commission Expires: 06-08-2015



ARCHITECT'S CERTIFICATE FOR PAYMENT

In accordance with the Contract Documents, based on on-site observations and the data comprising the application, the Architect certifies to the Owner that to the best of the Architect's knowledge, information and belief the Work has progressed as indicated, the quality of the Work is in accordance with the Contract Documents, and the Contractor is entitled to payment of the AMOUNT CERTIFIED.

AMOUNT CERTIFIED \$ 615,533.75

(Attach explanation if amount certified differs from the amount applied. Initial all figures on this Application and on the Continuation Sheet that are changed to conform with the amount certified.)

ARCHITECT: PBK Architects

By: _____ Date: _____

This Certificate is not negotiable. The AMOUNT CERTIFIED is payable only to the

prejudice to any rights of the Owner or Contractor under this Contract.

THE AMERICAN INSTITUTE OF ARCHITECTS, 1735 NEW YORK AVE., N.W., WASHINGTON, DC 20005-5292

AIA DOCUMENT G702 - APPLICATION AND CERTIFICATION FOR PAYMENT - 1992 EDITION - AIA ©1992

Users may obtain validation of this document by requesting a completed AIA Document D401 - Certification of Document's Authenticity from the Licensee.

CHANGE ORDER SUMMARY	ADDITIONS	DEDUCTIONS
Total changes approved in previous months by Owner	\$0.00	\$0.00
Total approved this Month	\$0.00	\$50,825.00
TOTALS	\$0.00	\$50,825.00
NET CHANGES by Change Order		(\$50,825.00)

APPLICATION AND CERTIFICATION FOR PAYMENT

TO OWNER LAMAR CISD
 3911 Avenue I
 Rosenberg, TX 77471

PROJECT: George Ranch HS
 Shell Build-Out

AIA DOCUMENT G702

PAGE ONE OF

PAGES

APPLICATION NO: 7

PERIOD TO: 10/31/13

Distribution to:

OWNER
 ARCHITECT
 CONTRACTOR

FROM CONTRACTOR:
 Drymalla Construction Co., Inc.
 P.O. Box 698
 Columbus, Texas 78934

PROJECT NO.: 4030

CONTRACT DATE:

CONTRACTOR'S APPLICATION FOR PAYMENT

Application is made for payment, as shown below, in connection with the Contract Continuation Sheet, AIA Document G703, is attached.

1. ORIGINAL CONTRACT SUM \$ 1,161,500.00
2. Net change by Change Orders (8,586.00)
3. CONTRACT SUM TO DATE (Line 1 ± 2) \$ 1,152,914.00
4. TOTAL COMPLETED & STORED TO DATE (Column G on G703) \$ 1,152,914.00
5. RETAINAGE:
 - a. % of Completed Work (Column D + E on G703) \$ _____
 - b. % of Stored Material (Column F on G703) \$ _____
 Total Retainage (Lines 5a + 5b or Total in Column I of G703) \$ 0.00
6. TOTAL EARNED LESS RETAINAGE (Line 4 Less Line 5 Total) \$ 1,152,914.00
7. LESS PREVIOUS CERTIFICATES FOR PAYMENT (Line 6 from prior Certificate) \$ 1,152,914.00
8. CURRENT PAYMENT DUE \$ 0.00
9. BALANCE TO FINISH, INCLUDING RETAINAGE (Line 3 less Line 6) \$ 0.00

CONTRACTOR: DRYMALLA CONSTRUCTION COMPANY, INC.

By: _____ Date: 10/24/13

State of: Texas County of: Dallas
 Subscribed and sworn to before me this 24th day of October, 2013
 Notary Public: Diane E. Welch
 My Commission Expires: 06-03-2015

ARCHITECT'S CERTIFICATE FOR PAYMENT

In accordance with the Contract Documents, based on on-site observations and the data comprising the application, the Architect certifies to the Owner that to the best of the Architect's knowledge, information and belief the Work has progressed as indicated, the quality of the Work is in accordance with the Contract Documents, and the Contractor is entitled to payment of the AMOUNT CERTIFIED.

AMOUNT CERTIFIED \$ 0.00

(Attach explanation if amount certified differs from the amount applied. Initial all figures on this Application and on the Continuation Sheet that are changed to conform with the amount certified.)

ARCHITECT: PBK Architects

By: _____ Date: _____

This Certificate is not negotiable. The AMOUNT CERTIFIED is payable only to the Contractor named herein. Issuance, payment and acceptance of payment are without prejudice to any rights of the Owner or Contractor under this Contract.

THE AMERICAN INSTITUTE OF ARCHITECTS, 1735 NEW YORK AVE., N.W., WASHINGTON, DC 20006-5292

AIA DOCUMENT G702 - APPLICATION AND CERTIFICATION FOR PAYMENT - 1992 EDITION - AIA ©1992
 Users may obtain validation of this document by requesting a completed AIA Document D401 - Certification of Document's Authenticity from the Licensee.

CHANGE ORDER SUMMARY	ADDITIONS	DEDUCTIONS
Total changes approved in previous months by Owner	\$0.00	\$0.00
Total approved this Month	\$0.00	\$8,586.00
TOTALS	\$0.00	\$8,586.00
NET CHANGES by Change Order		(\$8,586.00)

**CONSIDER APPROVAL OF GEOTECHNICAL SERVICES FOR THE DESIGN OF
THE SUMMER 2014 RENOVATION PROJECTS**

RECOMMENDATION:

That the Board of Trustees approve Terracon for geotechnical engineering services for the design of the summer 2014 renovation projects not to exceed the amount of \$4,200.

IMPACT/RATIONALE:


Geotechnical services are a professional service that the District must contract directly. These services are needed for the Travis Elementary and the Alternative Learning Center renovation projects that are identified in the summer 2014 renovation projects. These funds were allocated within the 2011 Bond Budget.

PROGRAM DESCRIPTION:

Geotechnical services will generate reports that provide soil data that the architect needs to generate the construction specifications. These reports are crucial in the design of the summer 2014 renovation projects.

Submitted by: J. Kevin McKeever, Administrator for Operations
Ed Bailey, Gilbane

Recommended for approval:



Dr. Thomas Randle
Superintendent

November 13, 2013

Lamar Consolidated Independent School District
3911 Avenue I
Rosenberg, Texas 77471

Attn: Mr. Kevin McKeever, Administrator of Operations
P: 832.223.0250
E: mckeever@lcisd.org

Re: Cost Estimate for Geotechnical Engineering Services
Alternative Learning Center and Travis Elementary School Additions
Rosenberg, Texas
Terracon Document No. P92131994.Revision 1

Dear Mr. McKeever:

Terracon Consultants, Inc. (Terracon) understands that we have been selected based on qualifications to provide geotechnical engineering services for the above referenced project. This document outlines our understanding of the scope of services to be performed by Terracon for this project and provides an estimate of the cost of our services.

1.0 PROJECT INFORMATION

This project involves the proposed additions within the above stated school facilities within the Lamar Consolidated Independent School District (LCISD) in Rosenberg, Texas. A detailed description of each project is provided below.

Alternative Learning Center

The project involves the proposed construction of a single-story building addition to the existing Alternative Learning Center (ALC) which is located at 1708 Avenue M in Rosenberg, Texas. We understand that the new building addition is planned to have a footprint area of approximately 2,900 square feet. We also understand that new pavements are planned on the south side of the existing school building.

Travis Elementary School

The project involves the proposed construction of a new canopy structure at the existing Travis Elementary School which is located at 2700 Avenue K in Rosenberg, Texas. We also understand that a new driveway and pavements are planned on the north and southeast sides, respectively, of the existing school building.



Cost Estimate for Geotechnical Engineering Services

ALC and Travis E.S. Additions ■ Rosenberg, Texas

November 13, 2013 ■ Terracon Document No. P92131994.Revision 1

Page 2



Based on the information provided to us by Gilbane Building Company, we understand that the building addition and new canopy structure are planned to be supported on a drilled-and-underreamed footing foundation system. For structural loading information, we anticipate maximum building column loads on the order of 100 to 150 kips with floor pressures no greater than about 125 pounds per square foot (psf).

2.0 SCOPE OF SERVICES

A brief summary of the services to be provided by Terracon is presented in the following paragraphs.

Field Program. The field program for this project is planned to consist of drilling a total of seven test borings in the area of the proposed additions. A detailed breakdown of our field program at each project site is provided in the table below. The total drilling footage is planned to be 85 feet.

Field Program		
Project Site	Boring Location	No. of Borings and Depth
Alternative Learning Center	Building Area	2 Borings to 20 feet
	Pavement Areas	2 Borings to 5 feet
Travis Elementary School	Canopy Structure	1 Boring to 20 feet
	Pavement Areas	3 Borings to 5 feet
Total Footage		85 feet

The borings will be located in the field by measuring from the site boundaries and on-site features shown on the drawing provided to us. The layout of the borings will be approximate. The boring depths will be measured from existing grade.

The drilling services for this project will be performed by a drilling subcontractor or Terracon's in-house drillers. During drilling, soil samples will generally be collected utilizing either open-tube samplers or the Standard Penetration Test. Once the samples have been collected and classified in the field, they will be properly prepared and placed in appropriate sample containers for transport to our laboratory. The borings will be backfilled with soil cuttings upon completion of drilling.

We plan to use truck-mounted drilling equipment to access the boring locations. The scope of services stated herein assumes that the site can be accessed during normal business hours and does not include services associated with site clearing, surveying of boring locations, location of underground utilities, or use of special equipment for unusually soft or wet surface conditions. If such conditions are known to exist on the site, Terracon should be notified so that we may adjust our scope of services and estimated fees, if necessary.

Cost Estimate for Geotechnical Engineering Services

ALC and Travis E.S. Additions ■ Rosenberg, Texas

November 13, 2013 ■ Terracon Document No. P92131994.Revision 1

Page 3



Terracon will notify Texas 811, a free utility locating service, to help locate public utilities within dedicated public utility easements. If underground utilities are known to exist within the site, Terracon should be notified so that we may review utility plans to help avoid the existing lines. Terracon cannot be responsible for damage to unmarked and/or unlocated utilities for which we are unaware or that are improperly located.

Laboratory Testing. The sample classifications will be reviewed and a laboratory testing program will be assigned which will be specific to the project requirements and the subsurface conditions observed. The testing program could include, but may not be limited to, moisture contents, unit dry weights, Atterberg Limits, compressive strength tests, and grain-size analyses.

Engineering Report. The results of our field and laboratory programs will be evaluated by a professional geotechnical engineer licensed in the State of Texas. Based on the results of our evaluation, an engineering report will be prepared which details the results of the testing performed and provides Boring Logs and a Boring Location Plan. The report will also provide geotechnical engineering recommendations which will address the following:

- Site and subgrade preparation;
- Foundation design and construction; and
- Pavement design guidelines.

Schedule. We can initiate our field program within three to five working days following authorization to proceed, if site access and weather conditions will permit. We anticipate completion of our services and submittal of our final report within two to three weeks after completion of our field services. In situations where information is needed prior to submittal of our report, we can provide verbal information or recommendations for specific project requirements directly after we have completed our field and laboratory programs.

3.0 COMPENSATION

For the scope of services outlined in this document, we anticipate the following costs for each site:

Project Site	Estimated Cost (Truck Rig)	Estimated Cost (ATV Rig)
Alternative Learning Center	\$2,100	\$2,250
Travis Elementary School	\$1,800	\$1,950
Total Cost	\$3,900	\$4,200

These costs are based on the understanding that the borings for the two project sites will be drilled on the same day during one visit to each site. The cost of our services will not exceed these amounts without approval of the client.

Cost Estimate for Geotechnical Engineering Services

ALC and Travis E.S. Additions ■ Rosenberg, Texas
November 13, 2013 ■ Terracon Document No. P92131994.Revision 1
Page 4



Additional consultation (such as attendance on a project conference call, engineering analysis, review of project documents, etc.) requested will be performed on a time-and-materials basis. A Project Engineer billing rate of \$125 per hour will apply. The fee to provide additional consultation services will be in excess of the above provided fee to complete the geotechnical study and will not be incurred without prior approval of the client.

4.0 AUTHORIZATION

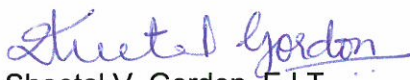
Environmental Considerations. In an effort to reduce the potential for cross-contamination of subsurface media and exposure of site workers to contaminants that might be present at the site, Terracon requests that prior to mobilization to the site, the Client inform Terracon of known or suspected environmental conditions at or adjacent to the site. If adverse environmental conditions are present, additional expenses may be necessary to properly protect site workers and abandon borings that penetrate affected groundwater-bearing units.


If Terracon is not informed of potentially adverse environmental conditions prior to the geotechnical services, Terracon will not be responsible for cross-contamination of groundwater aquifers, soil contamination, or any modification to the environmental conditions to the site that may occur during our geotechnical services. The geotechnical scope of services described above is based on our assumption that the site does not pose environmental risks to the personnel conducting the geotechnical exploration services.

Agreement for Services. We have included a copy of our “Agreement for Services.” If you agree to the conditions set forth in this document, please sign and return a copy of the accompanying Agreement for Services and an Access Agreement, if applicable, to our office. If you have any questions regarding the terms and conditions in the agreement, or any other aspect of this letter, please feel free to contact us.

We appreciate the opportunity to provide this cost estimate and look forward to the opportunity of working with you.

Sincerely,
Terracon Consultants, Inc.
(Texas Firm Registration No. F-3272)


Sheetal V. Gordon, E.I.T.
Geotechnical Engineer


Patrick M. Beecher, P.E.
Senior Project Manager

Attachment: Agreement for Services


Copy Submitted: Ms. Stefanie Roberts, LEED AP – Gilbane Building Company – (1) Electronic

AGREEMENT FOR SERVICES

This **AGREEMENT** is between Lamar Consolidated Independent School District ("Client") and Terracon Consultants, Inc. ("Consultant") for Services to be provided by Consultant for Client on the Proposed Additions to Alternative Learning Center and Travis Elementary School in Rosenberg, Texas project ("Project"), as described in the Project Information section of Consultant's Proposal dated November 13, 2013 ("Proposal") unless the Project is otherwise described in Exhibit A to this Agreement (which section or Exhibit is incorporated into this Agreement).

- 1. Scope of Services.** The scope of Consultant's services is described in the Scope of Services section of the Proposal ("Services"), unless Services are otherwise described in Exhibit B to this Agreement (which section or exhibit is incorporated into this Agreement). Portions of the Services may be subcontracted. Consultant's Services do not include the investigation or detection of, nor do recommendations in Consultant's reports address the presence or prevention of biological pollutants (e.g., mold, fungi, bacteria, viruses, or their byproducts) or occupant safety issues, such as vulnerability to natural disasters, terrorism, or violence. If Services include purchase of software, Client will execute a separate software license agreement. Consultant's findings, opinions, and recommendations are based solely upon data and information obtained by and furnished to Consultant at the time of the Services.
- 2. Acceptance/ Termination.** Client agrees that execution of this Agreement is a material element of the consideration Consultant requires to execute the Services, and if Services are initiated by Consultant prior to execution of this Agreement as an accommodation for Client at Client's request, both parties shall consider that commencement of Services constitutes formal acceptance of all terms and conditions of this Agreement. Additional terms and conditions may be added or changed only by written amendment to this Agreement signed by both parties. In the event Client uses a purchase order or other form to administer this Agreement, the use of such form shall be for convenience purposes only and any additional or conflicting terms it contains are stricken. This Agreement shall not be assigned by either party without prior written consent of the other party. Either party may terminate this Agreement or the Services upon written notice to the other. In such case, Consultant shall be paid costs incurred and fees earned to the date of termination plus reasonable costs of closing the project.
- 3. Change Orders.** Client may request changes to the scope of Services by altering or adding to the Services to be performed. If Client so requests, Consultant will return to Client a statement (or supplemental proposal) of the change setting forth an adjustment to the Services and fees for the requested changes. Following Client's review, Client shall provide written acceptance. If Client does not follow these procedures, but instead directs, authorizes, or permits Consultant to perform changed or additional work, the Services are changed accordingly and Consultant will be paid for this work according to the fees stated or its current fee schedule. If project conditions change materially from those observed at the site or described to Consultant at the time of proposal, Consultant is entitled to a change order equitably adjusting its Services and fee.
- 4. Compensation and Terms of Payment.** Client shall pay compensation for the Services performed at the fees stated in the Compensation section of the Proposal unless fees are otherwise stated in Exhibit C to this Agreement (which section or Exhibit is incorporated into this Agreement). If not stated in either, fees will be according to Consultant's current fee schedule. Fee schedules are valid for the calendar year in which they are issued. Consultant may invoice Client at least monthly and payment is due upon receipt of invoice. Client shall notify Consultant in writing, at the address below, within 15 days of the date of the invoice if Client objects to any portion of the charges on the invoice, and shall promptly pay the undisputed portion. Client shall pay a finance fee of 1.5% per month, but not exceeding the maximum rate allowed by law, for all unpaid amounts 30 days or older. Client agrees to pay all collection-related costs that Consultant incurs, including attorney fees. Consultant may suspend Services for lack of timely payment. It is the responsibility of Client to determine whether federal, state, or local prevailing wage requirements apply and to notify Consultant if prevailing wages apply. If it is later determined that prevailing wages apply, and Consultant was not previously notified by Client, Client agrees to pay the prevailing wage from that point forward, as well as a retroactive payment adjustment to bring previously paid amounts in line with prevailing wages. Client also agrees to defend, indemnify, and hold harmless Consultant from any alleged violations made by any governmental agency regulating prevailing wage activity for failing to pay prevailing wages, including the payment of any fines or penalties.
- 5. Third Party Reliance.** This Agreement and the Services provided are for Consultant and Client's sole benefit and exclusive use with no third party beneficiaries intended. Reliance upon the Services and any work product is limited to Client, and is not intended for third parties. For a limited time period not to exceed three months from the date of the report, Consultant will issue additional reports to others agreed upon with Client, however Client understands that such reliance will not be granted until those parties sign and return Consultant's reliance agreement and Consultant receives the agreed-upon reliance fee.
- 6. LIMITATION OF LIABILITY.** CLIENT AND CONSULTANT HAVE EVALUATED THE RISKS AND REWARDS ASSOCIATED WITH THIS PROJECT, INCLUDING CONSULTANT'S FEE RELATIVE TO THE RISKS ASSUMED, AND AGREE TO ALLOCATE CERTAIN OF THE ASSOCIATED RISKS. TO THE FULLEST EXTENT PERMITTED BY LAW, THE TOTAL AGGREGATE LIABILITY OF CONSULTANT (AND ITS RELATED CORPORATIONS AND EMPLOYEES) TO CLIENT AND THIRD PARTIES GRANTED RELIANCE IS LIMITED TO THE GREATER OF \$50,000 OR CONSULTANT'S FEE, FOR ANY AND ALL INJURIES, DAMAGES, CLAIMS, LOSSES, OR EXPENSES (INCLUDING ATTORNEY AND EXPERT FEES) ARISING OUT OF CONSULTANT'S SERVICES OR THIS AGREEMENT. UPON WRITTEN REQUEST FROM CLIENT, CONSULTANT MAY NEGOTIATE A HIGHER LIMITATION FOR ADDITIONAL CONSIDERATION. THIS LIMITATION SHALL APPLY REGARDLESS OF AVAILABLE INSURANCE COVERAGE, CAUSE(S) OR THE THEORY OF LIABILITY, INCLUDING NEGLIGENCE, INDEMNITY, OR OTHER RECOVERY. THIS LIMITATION SHALL NOT APPLY TO THE EXTENT THE DAMAGE IS PAID UNDER CONSULTANT'S COMMERCIAL GENERAL LIABILITY POLICY.
- 7. Indemnity/Statute of Limitations.** Consultant and Client shall indemnify and hold harmless the other and their respective employees from and against legal liability for claims, losses, damages, and expenses to the extent such claims, losses, damages, or expenses are legally determined to be caused by their negligent acts, errors, or omissions. In the event such claims, losses, damages, or expenses are legally determined to be caused by the joint or concurrent negligence of Consultant and Client, they shall be borne by each party in proportion to its own negligence under comparative fault principles. Neither party shall have a duty to defend the other party, and no duty to defend is hereby created by this indemnity provision and such duty is explicitly waived under this Agreement. Causes of action arising out of Consultant's services or this Agreement regardless of cause(s) or the theory of liability, including negligence, indemnity or other recovery shall be deemed to have accrued and the applicable statute of limitations shall commence to run not later than the date of Consultant's substantial completion of services on the project.
- 8. Warranty.** Consultant will perform the Services in a manner consistent with that level of care and skill ordinarily exercised by members of the profession currently practicing under similar conditions in the same locale. **CONSULTANT MAKES NO WARRANTIES OR GUARANTEES, EXPRESS OR IMPLIED, RELATING TO CONSULTANT'S SERVICES AND CONSULTANT DISCLAIMS ANY IMPLIED WARRANTIES OR WARRANTIES IMPOSED BY LAW, INCLUDING WARRANTIES OF MERCHANTABILITY AND FITNESS FOR A PARTICULAR PURPOSE.**

- 9. Insurance.** Consultant represents that it now carries, and will continue to carry: (i) workers' compensation insurance in accordance with the laws of the states having jurisdiction over Consultant's employees who are engaged in the Services, and employer's liability insurance (\$1,000,000); (ii) commercial general liability insurance (\$1,000,000 occ / \$2,000,000 agg); (iii) automobile liability insurance (\$1,000,000 B.I. and P.D. combined single limit); and (iv) professional liability insurance (\$1,000,000 claim / agg). Certificates of insurance will be provided upon request. Client and Consultant shall waive subrogation against the other party on all general liability and property coverage.
- 10. CONSEQUENTIAL DAMAGES.** NEITHER PARTY SHALL BE LIABLE TO THE OTHER FOR LOSS OF PROFITS OR REVENUE; LOSS OF USE OR OPPORTUNITY; LOSS OF GOOD WILL; COST OF SUBSTITUTE FACILITIES, GOODS, OR SERVICES; COST OF CAPITAL; OR FOR ANY SPECIAL, CONSEQUENTIAL, INDIRECT, PUNITIVE, OR EXEMPLARY DAMAGES.
- 11. Dispute Resolution.** Client shall not be entitled to assert a Claim against Consultant based on any theory of professional negligence unless and until Client has obtained the written opinion from a registered, independent, and reputable engineer, architect, or geologist that Consultant has violated the standard of care applicable to Consultant's performance of the Services. Client shall provide this opinion to Consultant and the parties shall endeavor to resolve the dispute within 30 days, after which Client may pursue its remedies at law. This Agreement shall be governed by and construed according to Kansas law.
- 12. Subsurface Explorations.** Subsurface conditions throughout the site may vary from those depicted on logs of discrete borings, test pits, or other exploratory services. Client understands Consultant's layout of boring and test locations is approximate and that Consultant may deviate a reasonable distance from those locations. Consultant will take reasonable precautions to reduce damage to the site when performing Services; however, Client accepts that invasive services such as drilling or sampling may damage or alter the site. Site restoration is not provided unless specifically included in the Services.
- 13. Testing and Observations.** Client understands that testing and observation are discrete sampling procedures, and that such procedures indicate conditions only at the depths, locations, and times the procedures were performed. Consultant will provide test results and opinions based on tests and field observations only for the work tested. Client understands that testing and observation are not continuous or exhaustive, and are conducted to reduce - not eliminate - project risk. Client agrees to the level or amount of testing performed and the associated risk. Client is responsible (even if delegated to contractor) for requesting services, and notifying and scheduling Consultant so Consultant can perform these Services. Consultant is not responsible for damages caused by services not performed due to a failure to request or schedule Consultant's services. Consultant shall not be responsible for the quality and completeness of Client's contractor's work or their adherence to the project documents, and Consultant's performance of testing and observation services shall not relieve Client's contractor in any way from its responsibility for defects discovered in its work, or create a warranty or guarantee. Consultant will not supervise or direct the work performed by Client's contractor or its subcontractors and is not responsible for their means and methods.
- 14. Sample Disposition, Affected Materials, and Indemnity.** Samples are consumed in testing or disposed of upon completion of tests (unless stated otherwise in the Services). Client shall furnish or cause to be furnished to Consultant all documents and information known or available to Client that relate to the identity, location, quantity, nature, or characteristic of any hazardous waste, toxic, radioactive, or contaminated materials ("Affected Materials") at or near the site, and shall immediately transmit new, updated, or revised information as it becomes available. Client agrees that Consultant is not responsible for the disposition of Affected Material unless specifically provided in the Services, and that Client is responsible for directing such disposition. In the event that test samples obtained during the performance of Services (i) contain substances hazardous to health, safety, or the environment, or (ii) equipment used during the Services cannot reasonably be decontaminated, Client shall sign documentation (if necessary) required to ensure the equipment and/or samples are transported and disposed of properly, and agrees to pay Consultant the fair market value of this equipment and reasonable disposal costs. In no event shall Consultant be required to sign a hazardous waste manifest or take title to any Affected Materials. Client shall have the obligation to make all spill or release notifications to appropriate governmental agencies. The Client agrees that Consultant neither created nor contributed to the creation or existence of any Affected Materials conditions at the site. Accordingly, Client waives any claim against Consultant and agrees to indemnify and save Consultant, its agents, employees, and related companies harmless from any claim, liability or defense cost, including attorney and expert fees, for injury or loss sustained by any party from such exposures allegedly arising out of Consultant's non-negligent performance of services hereunder, or for any claims against Consultant as a generator, disposer, or arranger of Affected Materials under federal, state, or local law or ordinance.
- 15. Ownership of Documents.** Work product, such as reports, logs, data, notes, or calculations, prepared by Consultant shall remain Consultant's property. Proprietary concepts, systems, and ideas developed during performance of the Services shall remain the sole property of Consultant. Files shall be maintained in general accordance with Consultant's document retention policies and practices.
- 16. Utilities.** Client shall provide the location and/or arrange for the marking of private utilities and subterranean structures. Consultant shall take reasonable precautions to avoid damage or injury to subterranean structures or utilities. Consultant shall not be responsible for damage to subterranean structures or utilities that are not called to Consultant's attention, are not correctly marked, including by a utility locate service, or are incorrectly shown on the plans furnished to Consultant.
- 17. Site Access and Safety.** Client shall secure all necessary site related approvals, permits, licenses, and consents necessary to commence and complete the Services and will execute any necessary site access agreement. Consultant will be responsible for supervision and site safety measures for its own employees, but shall not be responsible for the supervision or health and safety precautions for any other parties, including Client, Client's contractors, subcontractors, or other parties present at the site.

Consultant: Terracon Consultants, Inc.
By:  Date: 11/13/13
Name/Title: Patrick M. Beecher, P.E.
Senior Project Manager
Address: 11555 Clay Road, Suite 100
Houston, Texas 77043
Phone: 713.690.8989 Fax: 713.690.8787

Client: Lamar Consolidated Independent School District
By: _____ Date: _____
Name/Title: _____
Address: _____
Phone: _____ Fax: _____

Reference Number: P92131994.Revision 1

CONSIDER APPROVAL OF EASEMENT AT CORA THOMAS ELEMENTARY

RECOMMENDATION:

That the Board of Trustees approve the storm sewer and waterline easement on the Cora Thomas Elementary School site.

IMPACT/RATIONALE:

The Fort Bend County MUD#152 (Walnut Creek subdivision) is requesting a ten foot (10) and twenty foot (20) storm and waterline easement along Irby Cobb Boulevard at the eastern property line of the Cora Thomas Elementary site. This easement will provide storm sewer and waterlines to the new section under construction in the Walnut Creek Subdivision.

PROGRAM DESCRIPTION:

Upon approval a ten foot (10) and twenty foot (20) storm and waterline easement will be granted as shown in the documents attached.

Submitted by: J. Kevin McKeever, Administrator for Operations

Recommended for approval:



Dr. Thomas Randle
Superintendent

STORM SEWER AND WATERLINE EASEMENT
(10' and 20' easements – 0.3081 acres)

STATE OF TEXAS

§

KNOW ALL MEN BY THESE PRESENTS:

COUNTY OF FORT BEND

§

§

THAT **LAMAR CONSOLIDATED INDEPENDENT SCHOOL DISTRICT** (hereinafter called "Grantor"), for and in consideration of the mutual benefits to be derived therefrom has granted, sold and conveyed, and by these presents does hereby grant unto **FORT BEND COUNTY MUNICIPAL UTILITY DISTRICT NO. 152**, a conservation and reclamation district and a political subdivision of the State of Texas having a mailing address at 1100 Louisiana Street, Suite 400, Houston, Texas 77002 ("Grantee"), storm sewer and waterline easements in, along, over, upon, across and through the property (the "Easement Area") situated in Fort Bend County, Texas, as described by metes and bounds in Exhibit "A", which is attached hereto and by this reference are made a part hereof.

The easement, rights and privileges herein granted shall be used solely for the purposes of (1) constructing, operating, maintaining, repairing, replacing and reconstructing storm sewer lines, culverts, drainage ditches and other drainage improvements and (2) of laying, operating, maintaining, repairing, replacing and reconstructing waterlines and all related facilities and for making connections therewith and thereto together with any and all necessary incidentals and appurtenances thereto in, along, over, upon, across and through the Easement Area.

Subject to the foregoing and subsequent provisions hereof, Grantee, its successors, assigns, agents, employees, workmen and representatives shall, at all present and future times, have the right and privilege of ingress and egress in, along, over, upon, across and through the Easement Area for the purposes hereof.

These easements shall be subject to and governed by the following provisions:

(1) The easement rights and privileges granted herein are non-exclusive, and the Grantor reserves and retains the right to convey, plat and/or dedicate similar rights and easements, as well as other types of rights and easements, to such other persons or entities as Grantor may deem proper, providing such other conveyances do not materially affect the Grantee's use of the easement conveyed herein.

(2) The easement, rights and privileges herein granted shall be for so long as Grantee or its assigns shall utilize the Easement Area for the purposes intended. The easement, rights and privileges granted hereunder shall terminate when or at such time as the purposes hereof cease to exist, are abandoned by Grantee or become impossible to perform.

(3) The easement, rights and privileges herein granted shall be subject to all valid and subsisting liens, encumbrances, conditions, covenants, restrictions, reservations, exceptions, rights-of-way and easements of record, including building and zoning ordinances, as well as all laws, regulations and restrictions by municipal or other governmental authority applicable to and enforceable against the easement hereby granted.

10' AND 20' STORM SEWER AND WATER LINE EASEMENT

**METES AND BOUNDS DESCRIPTION
OF 0.3081 ACRE OF LAND
IN THE EUGENE WHEAT SURVEY, A-396
FORT BEND COUNTY, TEXAS**

All that certain 0.3081 acre of land, in the Eugene Wheat Survey, A-396, Fort Bend County, Texas, out of LAMAR C.I.S.D. ELEMENTARY SCHOOL 20, according to the plat thereof recorded under File No. 20090001, in the Map Records of Fort Bend County, Texas,, and more particularly described by metes and bounds as follows with bearings based on the Texas Coordinate System of 1983, South Central Zone:

BEGINNING at a 3/4 inch iron rod found for the east corner of LAMAR C.I.S.D. ELEMENTARY SCHOOL 20, according to the plat thereof recorded under File No. 20090001, in the Map Records of Fort Bend County, Texas, common to the east corner of the herein described easement;

THENCE South 46° 04' 46" West – 20.01 feet, along the southeast line of said LAMAR C.I.S.D. ELEMENTARY SCHOOL 20, to the south corner of the herein described easement;

THENCE North 42° 29' 23" West – 16.52 feet to the Point of Curvature of a curve to the left;

THENCE in a northwesterly direction, with said curve to the left, having a central angle of 10° 33' 29", a chord bearing and distance of North 47° 46' 07" West – 210.69 feet, a radius of 1145.00 feet, an arc distance of 210.99 feet, to the end of curve;

THENCE North 36° 57' 08" East – 10.00 feet to a point on a non-tangent a curve to the left;

THENCE in a northwesterly direction, with said curve to the left, having a central angle of 43° 00' 54", a chord bearing and distance of North 74° 33' 19" West – 846.90 feet, a radius of 1155.00 feet, an arc distance of 867.12 feet, to the end of curve;

THENCE South 83° 56' 15" West – 13.97 feet to the southwest corner of the herein described easement, in a west line of said LAMAR C.I.S.D. ELEMENTARY SCHOOL 20;

THENCE North 00° 30' 40" West – 10.05 feet, with said west line, to a 3/4 inch iron rod found for the northwest corner of said LAMAR C.I.S.D. ELEMENTARY SCHOOL 20, common to the north corner of the herein described easement, in the south right-of-way line of Irby Cobb Boulevard (70' R.O.W.);

THENCE North 83° 56' 15" East – 12.99 feet, with said south right-of-way line, to a 3/4 inch iron rod found for the Point of Curvature of a curve to the right;

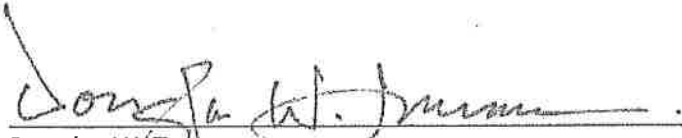
Page 2 – 10' and 20' Storm Sewer and Water Line Easement

THENCE in a northwesterly direction, with said curve to the right, continuing with said south right-of-way line, having a central angle of $53^{\circ} 34' 23''$, a chord bearing and distance of South $69^{\circ} 16' 34''$ East – 1050.05 feet, a radius of 1165.00 feet, an arc distance of 1089.30 feet, to a 3/4 inch iron rod found for the end of curve;

THENCE South $42^{\circ} 29' 23''$ East – 16.02 feet, continuing with said south right-of-way line, to the **POINT OF BEGINNING** of the herein described easement and containing 0.3081 acre of land.

Prepared by:
IDS Engineering Group
Job No. 1278-023-00-560

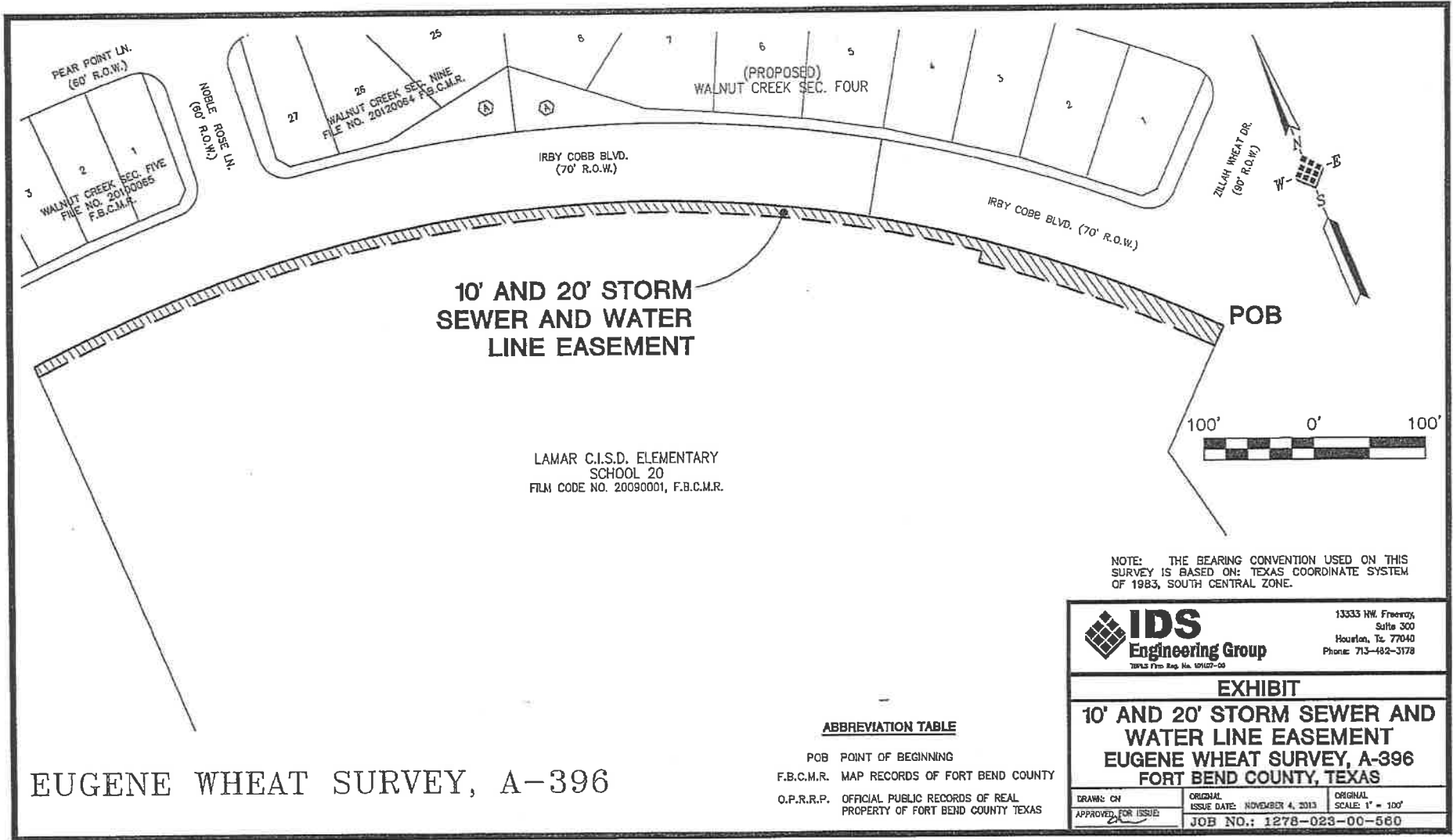
November 4, 2013



Douglas W. Turner
Registered Professional Land Surveyor
Texas Registration Number 3988



THIS LEGAL DESCRIPTION IS ISSUED FOR THE PURPOSE OF ATTACHMENT TO EASEMENT DEDICATION DOCUMENTS. IT SHOULD NOT BE USED FOR TITLE TRANSFER.



EUGENE WHEAT SURVEY, A-396

ABBREVIATION TABLE

- POB POINT OF BEGINNING
- F.B.C.M.R. MAP RECORDS OF FORT BEND COUNTY
- O.P.R.R.P. OFFICIAL PUBLIC RECORDS OF REAL PROPERTY OF FORT BEND COUNTY TEXAS

NOTE: THE BEARING CONVENTION USED ON THIS SURVEY IS BASED ON: TEXAS COORDINATE SYSTEM OF 1983, SOUTH CENTRAL ZONE.

<p>IDS Engineering Group 13333 NW Freeway, Suite 300 Houston, TX 77040 Phone: 713-492-3178</p>		<p>13333 NW Freeway, Suite 300 Houston, TX 77040 Phone: 713-492-3178</p>	
		<p>EXHIBIT</p>	
<p>10' AND 20' STORM SEWER AND WATER LINE EASEMENT EUGENE WHEAT SURVEY, A-396 FORT BEND COUNTY, TEXAS</p>			
<p>DRAWN: CN</p>	<p>ORIGINAL</p>	<p>SCALE: 1" = 100'</p>	
<p>APPROVED FOR ISSUE:</p>	<p>ISSUE DATE: NOVEMBER 4, 2013</p>	<p>JOB NO.: 1278-023-00-560</p>	

DISCUSSION AND ACTION ON ADVERTISING IN LAMAR CISD

IMPACT/ RATIONALE:

A board member expressed an interest in the creation/expansion of an advertising program in Lamar CISD.

PROGRAM DESCRIPTION:

Lamar CISD has traditionally not participated in an expansive advertising program, due to large community donations and support through the Lamar Educational Awards Foundation (L.E.A.F.) and various parent organizations. Last year the District received over \$215,000 from L.E.A.F. alone—with no significant oversight required by the District.

Additionally, in 2012-2013, the District generated \$2,543,828.28 in income from all outside revenues—excluding taxes, state funding, federal funding and grants.

In introductory conversations with Districts that advertise, the revenue generated typically varied from approximately \$15,000-\$100,000 annually.

Currently, board policy states that advertising shall be accepted solely for the purpose of covering the cost of providing materials and equipment, not for the purpose of establishing a forum for communication.

Attached to this item is a current copy of GKB (LOCAL)—Advertising and Fundraising in the schools.

Submitted by: Dr. Thomas Randle, Superintendent of Schools
 Mike Rockwood, Executive Director of Community Relations

COMMUNITY RELATIONS
ADVERTISING AND FUND RAISING IN THE SCHOOLS

GKB
(LOCAL)

PROMOTIONAL
ACTIVITIES

School facilities shall not be used to advertise, promote, sell tickets, or collect funds for any nonschool-related purpose without prior approval of the Superintendent or designee. Nonschool-related organizations may use school facilities only in accordance with GKD.

ADVERTISING

Advertising shall be accepted solely for the purpose of covering the cost of providing materials and equipment, not for the purpose of establishing a forum for communication. The District retains final editorial authority to accept or reject submitted advertisements in a manner consistent with the First Amendment. [See FMA regarding school-sponsored publications]

**DISCUSSION AND ACTION ON ADDING ADDITIONAL BOARD MEMBERS'
SIGNATURES TO HIGH SCHOOL DIPLOMAS**

IMPACT/ RATIONALE:

Administration was asked to explore the possibility of incorporating the signatures of all current members of the Board of Trustees on the high school diploma for graduating seniors in 2014.

PROGRAM DESCRIPTION:

Each year at their Graduation ceremonies, the District provides each graduate with a diploma cover in their school color, along with an Official High School Diploma, noting the graduate's name, the date of their graduation, and their high school campus.

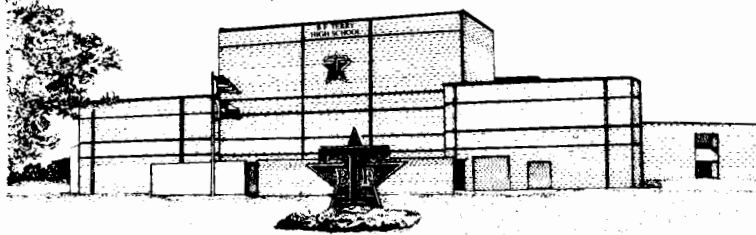
Historically, the signatures of the High School Principal and the Superintendent of Schools are printed on the bottom left hand side of the diploma, with the signatures of the Board President, Board Vice President, and Board Secretary printed on the bottom right hand side of the diploma. Diplomas and diploma covers are ordered from and printed by Balfour Publishing Company each year at this time.

Attached to this item is a current copy of the high school diploma, along with two sample diplomas with mock signatures of all Board members.

Submitted by: Dr. Thomas Randle, Superintendent
 Dr. Walter Bevers, Executive Director of Secondary Education

B. J. Terry High School

Richmond-Rosenberg, Texas



Johnny Anthony Alvarado

having completed in a satisfactory manner the regular Course of Study as prescribed for the High School Department is entitled to receive this

Diploma

By order of the Board of Trustees

May 31, 2013

Date of Award

Dr. Vera M. Wehring
Principal

Thomas Randle
Superintendent



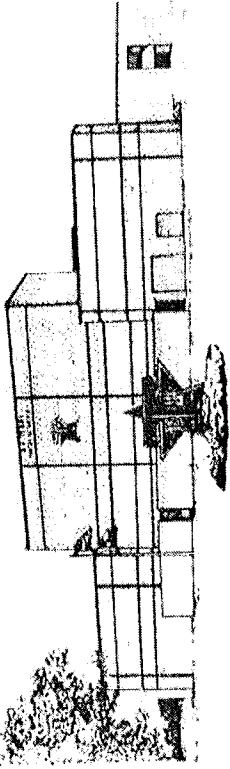
[Signature]
President, Board of Trustees

Karen M. Menden
Vice President, Board of Trustees

Julia Thompson
Secretary, Board of Trustees

THE UNIVERSITY HIGH SCHOOL

Richmond-Rosenberg, Texas



Johnny Anthony Alvarado

having completed in a satisfactory manner the regular Course of Study as prescribed for the High School Department is entitled to receive this

Diploma

By order of the Board of Trustees

May 31, 2013

Date of Award

Vera Wehring
Principal

Thomas Randle
Superintendent

Jodie Thompson
President, Board of Trustees

Rhonda Richards
Vice-President, Board of Trustees

Frank Torres
Secretary, Board of Trustees

Kay Dwyer
Board Member

Ray Johnson
Board Member

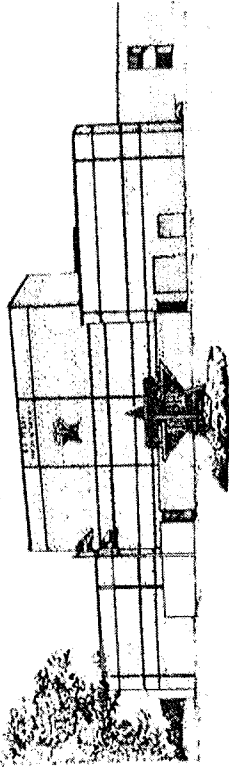
Allen [unclear]
Board Member

Rachyn Kammerle
Board Member



Ed H. Turner High School

Richmond-Rosenberg, Texas



Johny Anthony Alvarado

having completed in a satisfactory manner the regular Course of Study as prescribed for the High School Department is entitled to receive this

Diploma



By order of the Board of Trustees

May 31, 2013

Date of Award

Vere Wehring
Principal

Chonda Zacharias
Vice-President, Board of Trustees

Dan Kitzel
Board Member

Thome Kandle
Superintendent

Frank Torres
Secretary, Board of Trustees

Joe Gu
Board Member

Jodie Thompson
President, Board of Trustees

Kay Dargatzis
Board Member

Kathryn Kaminski
Board Member

**CONSIDER APPROVAL OF NEW PDAS APPRAISERS FOR
TEACHING STAFF, 2013-2014 SCHOOL YEAR**

RECOMMENDATION:

That the Board of Trustees approve the 2013-2014 Professional Development Appraisal System (PDAS) appraiser(s) who have recently become certified or are new to Lamar Consolidated Independent School District.

IMPACT/RATIONALE:

Rules adopted by the State Board of Education indicate that the local district Board of Trustees must approve appraisers other than the teacher's supervisor.

PROGRAM DESCRIPTION:

Listed below are staff members who are new to LCISD or have recently become certified as PDAS appraisers for the 2013-2014 school year.

Kevin Croft
Terri Rodriguez

Submitted by: Dr. Kathleen M. Bowen, Executive Director of Human Resources
Courtney Beard, Personnel Specialist

Recommended for approval:



Dr. Thomas Randle
Superintendent

**CONSIDER APPROVAL OF PURCHASE OF
NETWORK SWITCHES**

RECOMMENDATION:

That the Board of Trustees approve the purchase of network switches and components from Micro Integration in the amount \$51,881.40. Pricing is offered through a cooperative bid contract.

IMPACT/RATIONALE:

The District has several switches that are old, no longer function, and are out of warranty. These new switches will replace the bad switches and provide extras to replace units in the future in a timely manner.

PROGRAM DESCRIPTION:

The district has funds in the 2011 bond for network infrastructure upgrades. These switches will be used in conjunction with additional hardware to be purchased in the future as part of a larger project which will go out for bid.

Submitted by: David Jacobson, Chief Technology Information Officer

Recommended for approval:



Dr. Thomas Randle
Superintendent



presented by: *David A Patterson*
 Micro Integration *Tel: 713-785-4596*
 10801 Hammerly *Fax: 713-785-2276*
 Suite 246
 Houston, Texas 77043

November 1, 2013

**Lamar CISD
Spare Switches**

Choice Partners Contract # 09/052JC-11

Extreme

Manf.	Model	Description	List	Cost	Qty	Ext. Cost
Extreme	Summit X460-48p	48 10/100/1000BASE-T PoE, 4 100/1000BASE-X unpopulated SFP, XGM3 slot, Stacking module slot, AC PSU with one unpopulated PSU slot, Fan module, ExtremeXOS Edge license	6995.00	3987.15	12	\$47,845.80
Extreme	SummitStack module	SummitStack module for Summit X460	395.00	225.15	12	\$2,701.80
Extreme	Stacking Cable, 0.5M	SummitStack/UniStack Stacking cable, 0.5M	195.00	111.15	12	\$1,333.80
Extreme Total						\$51,881.40

97

**CONSIDER APPROVAL OF PURCHASE OF
MARC AUTHORITY FULL PROCESSING SERVICES**

RECOMMENDATION:

That the Board of Trustees approve the purchase of MARC Authority Full Processing Services from SirsiDynix in the amount \$7,965. SirsiDynix is a sole source provider for this service for the existing library system in the district.

IMPACT/RATIONALE:

MAchine-Readable Cataloging (MARC) Records are a set of standards for the description of items catalogued by libraries, such as books. MARC Records contain the information traditionally shown on a catalog card. Cleanup of these records should be done to ensure data accuracy and compatibility with library automation systems and booksellers.

PROGRAM DESCRIPTION:

The District is beginning the Request For Proposal (RFP) process for replacing the current library automation system. Cleanup of MARC Records needs to be done to ensure accurate data conversion to a new system. If approved, funds in the 2011 bond dedicated to a new student information system will be used to pay for the new library system, including this records cleanup.

Submitted by: David Jacobson, Chief Technology Information Officer

Recommended for approval:



Dr. Thomas Randle
Superintendent



Quote for:

Lamar Consolidated Independent School District

Authority Control Processing

Prepared by:

Larry Menlove

Inside Sales Consultant, West Region

SirsiDynix

Quote Date: October 17, 2013

Quote Valid Until: January 15, 2014

This quote is hereby fully incorporated into the Master Agreement.

The above information is a trade secret, proprietary and confidential and is only for use by the library named above and not to be released.

SirsiDynix Copyright 2013 - All Rights Reserved

Purchase Details

All prices are in U.S. dollars (\$) and are exclusive of taxes unless otherwise noted.

Component	Year 1	Year 2
Other Services	7,965	-
Total	7,965	0

Initial Term: Three (3) Years

Initial Term Annual Price Increase Cap for SirsiDynix Products/Services: 7% annual price increase cap until Term renewal

Customer's usage is subject to limitations that can be found in the Terms and Conditions section at the end of the Quote.

The above price increase cap covers all Customer's active assets on Maintenance. However, SirsiDynix reserves the right to adjust Initial Term pricing for Third Party/integrated products/services if a Third Party vendor increases pricing for Third Party/integrated products/services by more than 10% in a given calendar year.

Any applicable discount shall be applied on final payment. Any and all pre-printed terms and conditions on Customer's Purchase Order(s) submitted to SirsiDynix are hereby rejected and shall be superseded by the current Master Agreement, unless such additional terms are statutorily required of the Customer.

This Purchase Details section may not include pre-existing obligations for ongoing Products not listed in the Quote.

This quote is hereby fully incorporated into the Master Agreement

The above information is a trade secret, proprietary and confidential and is only for use by the library named above and not to be released.

SirsiDynix Copyright 2013 – All Rights Reserved.

Itemized Pricing

All prices are in U.S. dollars (\$) and are exclusive of taxes unless otherwise noted.

Part	Component	Quantity	Unit Price	Extended Price
Other Services				
Data Migration:				
11881	MARC Authority Full Processing (up to 500K titles)	219	35	7,665
Total Data Migration				7,665
Installation:				
Project Management				
11771	Additional Services Management	1	300	300
Total Installation				300
Total Other Services				7,965
QUOTE TOTAL				7,965

This quote is hereby fully incorporated into the Master Agreement

The above information is a trade secret, proprietary and confidential and is only for use by the library named above and not to be released.

SirsiDynix Copyright 2013 – All Rights Reserved.

Component Descriptions

Horizon software

Other Services

Data Migration:

MARC Authority Full Processing (up to 500K titles)

SirsiDynix staff will process a single file of MARC bibliographic records. SirsiDynix will identify matching authority records in SirsiDynix's copy of the Library of Congress authority file, for each bibliographic heading. SirsiDynix will modify the text in the bibliographic record to match the authority record when the heading used is a SEE reference. SirsiDynix will also update other text such as expanding abbreviations and correcting subfielding errors and will upgrade obsolete MARC coding. Processing will include name, series, uniform titles, LCSH subject fields, LC Juvenile subject fields, LC genre/form term fields, GSAFD genre fields, and NLM MeSH subject fields. SirsiDynix will provide the matching authority records and the updated bibliographic records. The full service includes library options for handling subject fields for alternate thesauri, removing undesired local fields, updating GMD values, creating fields 336, 337, and 338 when data in the record permits, and updating genre values in field 650. A telephone consultation call with a SirsiDynix MARC record specialist is included, to assist the library in selecting their desired options. SirsiDynix staff will extract records from the library's Symphony, Horizon, or Dynix system, will load/reload the returned records, and will update or rebuild indexes if the system provides remote connectivity.

Installation:

Project Management

Additional Services Management

Project Management Services for Coordination, Scheduling, and follow up of Additional Purchased Project Services

This quote is hereby fully incorporated into the Master Agreement.

The above information is a trade secret, proprietary and confidential and is only for use by the library named above and not to be released.

SirsiDynix Copyright 2013 – All Rights Reserved.

Terms and Conditions

Other Terms

Customer's data must be provided to SirsiDynix in a format approved by SirsiDynix or additional data conversion/migration charges will apply. De-duping is the Customer's responsibility, unless stated otherwise in writing.

Customer shall not integrate products offered by third parties into Software, Subscriptions or Subscription Software without additional license from SirsiDynix.

Payment Terms

Services/Training

- 50% due upon completion of first data test load, where a test load is part of the services
- 100% of the remainder due upon completion of services/training

**Fees and Payment Terms which do not reflect the services and/or products purchased by the Customer are non-applicable.

Any reference to license metrics and/or licensed amounts included in this quote shall be applicable only to the Products and/or services mentioned in this quote. This document and any software or professional services associated with this document are hereby fully incorporated into the current Agreement executed between SirsiDynix and Customer. If there is no current agreement between the parties, the terms and conditions of the current SirsiDynix Master Software License and Services Agreement shall be deemed the controlling Agreement between the parties, a copy of which shall be furnished upon Customer's request. Any and all pre-printed terms and conditions on Customer's Purchase Order(s) submitted to SirsiDynix are hereby rejected and shall be superseded by the current Agreement, unless such additional terms are statutorily required of the Customer. In the event of a conflict, the terms, payment terms, discounts, product lists and/or statement of work contained within this document shall take precedence over the current Agreement between the parties. In the event Customer desires or requires updated terms and conditions for the continuing business relationship with SirsiDynix, please contact your regional Sales Representative.

This quote is hereby fully incorporated into the Master Agreement

The above information is a trade secret, proprietary and confidential and is only for use by the library named above and not to be released.

SirsiDynix Copyright 2013 – All Rights Reserved.

Terms and Conditions

Customer Signature:

Lamar Consolidated Independent School District

By:

(Authorized Signature)

Printed Name:

Title:

Date:

Billing Address:

Lamar Consolidated Independent School District
3911 Avenue I
Rosenberg
Texas 77471
United States

This quote is hereby fully incorporated into the Master Agreement
The above information is a trade secret, proprietary and confidential and is only for use by the library named above and not to be released.
SirsiDynix Copyright 2013 – All Rights Reserved.

INFORMATION ITEM: COLLEGE-READINESS TESTING REPORT, 2012-2013

**Advanced Placement (AP) Testing
Spring 2013**

Overview

The College Board's Advanced Placement (AP) program offers high school students the opportunity to participate in challenging college-level course work while still in high school. Students that elect to do so may receive credit hours in collegiate level course work recognized by thousands of colleges and universities across the nation. The Advanced Placement tests are given upon completion of their coursework in May.

With the exception of Studio Art, each Advanced Placement test consists of multiple choice and free response sections, designed to match the depth, complexity, and rigor of two semesters worth of collegiate level course work. These tests are scored on a scale from 1 to 5, where a student earning a 5 is considered to be 'extremely well qualified'. Conversely, a student who earns a 1 will earn a rating of 'no recommendation' by the College Board. Generally, many universities will give course credit to students that earn a score of 3 or higher.

Participation Data

The table below gives an overview of the number of LCISD students tested and how many tests were administered in the AP program from 2009 to the present.

Advanced Placement Program Participation 2009-2013										
	2013		2012		2011		2010		2009	
	Total No. Exams Given	Total Students Tested	Total No. Exams Given	Total Students Tested	Total No. Exams Given	Total Students Tested	Total No. Exams Given	Total Students Tested	Total No. Exams Given	Total Students Tested
LCHS	279	172	334	197	438	231	471	304	283	201
THS	77	51	141	102	203	111	221	132	212	123
FHS	544	317	462	280	472	246	420	256	378	231
GRHS	951	547	465	320	196	193	N/A	N/A	N/A	N/A
District	1851	1087	1402	899	1309	781	1112	692	873	555

Performance Data

The table below represents an overview in the number and percent of students earning a 3 or higher on AP exams from 2009 to the present. Many colleges and universities will accept AP exams with scores of 3 or higher towards granting college credit.

Number and Percent of Students Earning 3 or Higher, 2009-2013										
	2013		2012		2011		2010		2009	
	Number of Students with 3 or Higher	Percent of Stus with 3 or Higher	Total No. of Scores 3 or Higher	Percent of Stus with 3 or Higher	Total No. of Scores 3 or Higher	Percent of Stus with 3 or Higher	Total No. of Scores 3 or Higher	Percent of Stus with 3 or Higher	Total No. of Scores 3 or Higher	Percent of Stus with 3 or Higher
LCHS	99	57.6%	97	49.2%	116	50.2%	147	48.4%	133	66.2%
THS	24	47.1%	48	47.1%	53	47.7%	73	55.3%	75	60.5%
FHS	250	78.9%	205	73.2%	179	72.8%	169	66.0%	180	77.9%
GRHS	392	71.7%	203	63.4%	84	43.5%				
District	765	70.4%	553	61.5%	432	55.3%	389	56.2%	388	69.9%
State		47.7%		47.9%		48.7%		50.7%		51.3%
Nation		58.6%		58.8%		60.2%		60.2%		61.1%

The disaggregated data tables below outline participation and performance in the AP testing program, by the number and percent of students earning a 3 or above within the subject specific exams.

Exam	Number of Tests Taken 2009-2013				
	2013	2012	2011	2010	2009
Art History		1			
Biology	34	36	35	18	28
Calculus AB	101	78	49	84	52
Calculus BC	26	7	7	11	21
Chemistry	65	25	13	22	10
Chinese Lang and Culture		1	2		
Computer Science A	5	5	11	10	26
Computer Science AB					14
Comp. Govt. & Pol.			1		
Economics: Macro	71	47	90	48	35
Economics: Micro	3	1	6	5	1
Eng. Lang. & Comp.	249	151	145	182	127
Eng. Lit. & Comp.	101	68	90	76	58
Environmental Science	62	38	57	12	1
European History	36		32	22	
French Language	5	1	1		
German Language	2	1			
U.S. Government & Politics	109	94	118	122	49
Human Geography	191	198	227	154	152
Music Theory	23	22	14	7	
Physics B	15	7	16	10	6
Physics C: Mechanics			1		
Psychology	115	132	48	43	44
Spanish Language	57	58	27	23	33
Statistics	44	27	36	17	15
Studio Art: 2-D Design		1	1		3
Studio Art: Drawing	1	1	2	3	3
U.S. History	243	156	131	102	103
World History	293	246	149	141	90

Exam	Number and Percentage of LCISD Scores of 3 or Greater, 2009-2013									
	2013		2012		2011		2010		2009	
Art History			0	0%						
Biology	21	62%	20	56%	18	51%	7	39%	11	39%
Calculus AB	46	46%	42	54%	20	41%	41	49%	35	67%
Calculus BC	19	73%	7	100%	2	29%	11	100%	17	81%
Chemistry	29	45%	14	56%	5	38%	6	27%	5	50%
Chinese Lang and Culture			1	100%	2	100%				
Computer Science A	3	60%	3	60%	9	82%	5	50%	16	62%
Computer Science AB									11	79%
Comp. Govt. & Pol.					1	100%				
Economics: Macro	32	45%	33	70%	25	28%	11	23%	8	23%
Economics: Micro	2	66%	0	0%	1	17%	2	40%	1	100%
Eng. Lang. & Comp.	137	55%	109	72%	110	76%	133	73%	90	71%
Eng. Lit. & Comp.	73	72%	58	85%	66	73%	60	79%	41	71%
Environmental Science	29	47%	29	76%	18	32%	7	58%	1	100%
European History	22	61%			16	50%	16	73%		
French Language	3	60%	1	100%	0	0%				
German Language	2	100%	1	100%						
U.S. Government & Politics	57	52%	50	53%	41	35%	53	43%	28	57%
Human Geography	114	60%	117	59%	85	37%	65	42%	98	64%
Music Theory	5	22%	7	32%	5	36%	5	71%		
Physics B	10	67%	4	57%	5	31%	4	40%	1	17%
Physics C: Mechanics					1	100%				
Psychology	52	45%	68	52%	30	63%	22	51%	26	59%
Spanish Language	42	74%	39	67%	15	56%	16	70%	22	67%
Statistics	18	41%	16	59%	33	92%	15	88%	14	93%
Studio Art: 2-D Design			1	100%	1	100%			1	33%
Studio Art: Drawing	1	100%	1	100%	2	100%	1	33%	1	33%
U.S. History	127	52%	90	58%	44	34%	63	62%	66	64%
World History	127	43%	123	50%	90	60%	54	38%	56	62%

Demographic Data

The May 2013 administration of the Advanced Placement exams continued to mark significant growth in the representation of Hispanic students in the participation count. Please see the below table for a disaggregation of students by race/ethnicity.

AP Participation by Ethnicity as Reported by Each Student, 2009-2013					
Ethnicity	2013	2012	2011	2010	2009
African American	149	99	105	78	50
Hispanic	306	221	167	120	100
Asian	176	126	103	92	53
White	406	393	360	354	324
Other or Unidentified	50	60	46	48	26

The table below illustrates AP exam participation by grade level:

AP Participation by Grade Level, 2009-2013					
Grade Levels	2013 Participants	2012 Participants	2011 Participants	2010 Participants	2009 Participants
9 and 10	502	476	379	292	242
11	345	251	194	193	161
12	223	159	190	175	130
Unstated	17	13	18	32	22

American College Testing (ACT) Participation and Performance Senior Class of 2013

Overview

The American College Testing (ACT) program offers one of the two comprehensive assessment programs LCISD students can use for college admissions purposes. The ACT is comprised of four subtests to measure student abilities in the following areas: English, mathematics, reading and science. The English test measures a student's ability to make decisions relating to writing strategy, composition organization, and prose. The mathematics test is designed to assess the depth of mathematics reasoning skills a student should have attained by the start of twelfth grade. The reading portion of the assessment measures reading comprehension, the ability to draw conclusions, and make comparisons and generalizations. Finally, the science test measures a student's ability to interpret, analyze, evaluate, and reason in course work in the natural sciences.

All of the ACT tests are measured on a scale of 1 to 36 points in increments of tenths of a point. Additionally, student scores are averaged to form a composite score.

Participation Data

The table below summarizes the growth of student participation in the ACT program from 2009 to 2013:

Number of Students Taking ACT, 2009-2013					
	2013	2012	2011	2010	2009
LCHS	67	174	145	141	116
THS	121	145	111	125	105
FHS	160	185	221	181	174
GRHS	197	2			
Dist	545	506	477	447	395
State	109841	110180	101569	92615	82640
Nation	1799243	1666017	1623112	1568835	1480469

Performance Data

The below table summarizes LCISD student performance by each high school, district, state and national averages.

Average ACT Scores for Students by High School, 2009-2013																									
	English					Math					Reading					Science					Composite				
	2013	2012	2011	2010	2009	2013	2012	2011	2010	2009	2013	2012	2011	2010	2009	2013	2012	2011	2010	2009	2013	2012	2011	2010	2009
LCHS	18.4	18.6	19.5	18.8	19.0	20.5	20.6	20.4	20.6	20.1	20.1	20.2	20.4	20.2	19.7	19.9	20.2	20.7	20.4	20.4	19.9	20.0	20.4	20.1	20.0
THS	15.7	16.5	17.3	17.8	17.7	18.1	18.8	19.8	19.0	19.9	17.9	17.9	18.5	18.8	18.7	18.1	19.0	19.6	19.7	19.6	17.5	18.2	18.9	19.0	19.1
FHS	21.5	21.8	21.2	21.5	21.4	23.4	23.1	22.6	22.3	22.3	22.9	23.0	21.7	21.8	22.4	22.6	22.7	21.5	21.7	21.7	22.7	22.8	21.9	22.0	22.1
GRHS	21.5	17.5				22.1	19.5				22.4	22.5				21.9	19.5				22.1	20.5			
Dist	19.8	19.2	19.8	19.6	19.7	21.4	21.0	21.3	20.9	21.0	21.2	20.6	20.5	20.4	20.6	21.0	20.7	20.8	20.7	20.7	21.0	20.5	20.7	20.6	20.7
State	19.9	19.6	19.6	19.7	19.9	21.5	21.4	21.5	21.4	21.3	21.0	20.8	20.7	20.8	20.9	20.8	20.8	20.9	20.6	20.9	20.8	20.8	20.8	20.8	20.8
National	20.2	20.5	20.6	20.5	20.6	20.9	21.1	21.1	21.0	21.0	21.1	21.3	21.3	21.3	21.4	20.7	20.9	20.9	20.9	20.9	20.9	21.1	21.1	21.0	21.1

Demographic Data

The table below summarizes the demographic disaggregation of students that took the ACT from 2009 through 2013:

ACT Participation and Average Scores by Student Identified Ethnicity, 2009-2013															
	Number of Participants and Percentage										Average Composite Score				
	2013		2012		2011		2010		2009		2013	2012	2011	2010	2009
African American	125	23%	117	23%	116	24%	117	26%	88	22%	19.0	17.6	17.8	17.7	17.2
Hispanic	177	32%	133	26%	117	25%	90	20%	82	21%	19.3	19.2	22.8	19.4	19.2
White	176	32%	204	41%	191	40%	187	42%	181	46%	23.3	22.8	19.1	22.6	22.9
Not Responding or Other	67	13%	52	10%	53	11%	53	12%	44	11%					
Total Number	545		506		477		447		395						

Historical Performance

The table below summarizes the historical performance of students on the ACT from perspective of the district, state, and national levels, including any gains or losses in performance at each level since 2009.

Comparison of ACT Performance by District, State, and National Scores 2009 to 2013															
	ENGLISH			MATH			READING			SCIENCE			COMPOSITE		
	DIST	STATE	NAT	DIST	STATE	NAT	DIST	STATE	NAT	DIST	STATE	NAT	DIST	STATE	NAT
2009	19.7	19.9	20.6	21.0	21.3	21.0	20.6	20.9	21.4	20.7	20.6	20.9	20.7	20.8	21.1
2010	19.6	19.7	20.5	20.9	21.4	21.0	20.4	20.8	21.3	20.7	20.9	20.9	20.6	20.8	21.0
2011	19.8	19.6	20.6	21.3	21.5	21.1	20.5	20.7	21.3	20.8	20.8	20.9	20.7	20.8	21.1
2012	19.2	19.6	20.5	21.0	21.4	21.1	20.6	20.8	21.3	20.7	20.8	20.9	20.5	20.8	21.1
2013	19.8	19.9	20.2	21.4	21.5	20.9	21.2	21.0	21.1	21.0	20.9	20.7	21.0	20.9	20.9
Gains/Losses 2011 to Present	0.0	0.3	-0.4	0.1	0.0	-0.2	0.7	0.3	-0.2	0.2	0.1	-0.2	0.3	0.1	-0.2
Gains/Losses 2009 to Present	0.1	0.0	-0.4	0.4	0.2	-0.1	0.6	0.1	-0.3	0.3	0.3	-0.2	0.3	0.1	-0.2

College Preference

Below are the top ten colleges and universities LCISD students chose to send their ACT scores to in 2013:

1. Texas A&M University – College Station
2. University of Houston – Main Campus
3. University of Texas at Austin
4. Texas State University – San Marcos
5. University of Texas at San Antonio
6. Baylor University
7. Texas Tech University
8. Wharton County Junior College
9. Stephen F. Austin State University
10. University of Houston -- Downtown

Scholastic Aptitude Test (SAT) Participation and Performance Senior Class of 2013

Overview

The Scholastic Aptitude Test (SAT) is the second of the two comprehensive assessment programs that LCISD students can utilize for college admissions purposes. The SAT consists of three components: a critical reading test, a mathematics test, and a writing test. The critical reading portion – formerly known as the verbal section – includes short and long reading passages that require analysis. The math portion includes topics such as exponential growth, absolute value, functional notation, linear functions, and manipulations with exponents. Finally, the writing portion includes both multiple choice and essay components to assess grammatical and syntactical abilities. All SAT portions are scored on a scale of 200 to 800.

Participation Data

Shown in the table below, participation totals for the SAT have increased significantly from 2009 to 2013:

Number of Students Taking SAT, 2009-2013					
Campus	2013	2012	2011	2010	2009
LCHS	122	258	262	209	159
THS	83	95	136	128	118
FHS	258	323	369	251	243
GRHS	266				
District	729	676	767	588	520
State	172870	172802	166012	148102	141733
Nation	1660047	1664479	1647123	1547990	1530128

Performance Data

The table below summarizes LCISD student performance by each high school, the district, and compares them to the state and national averages.

Average SAT Scores for Students by High School, 2009-2013															
Campus	Critical Reading					Math					Writing				
	2013	2012	2011	2010	2009	2013	2012	2011	2010	2009	2013	2012	2011	2010	2009
LCHS	469	481	477	478	476	485	503	492	499	489	452	474	474	474	475
THS	449	486	478	475	473	461	506	486	495	491	437	458	458	465	455
FHS	505	492	486	495	506	525	520	517	525	527	484	475	475	483	497
GRHS	497					519					495				
District	490	482	482	485	489	509	511	503	509	507	477	472	472	476	481
State	477	474	479	484	481	499	499	502	505	504	461	465	465	473	470
Nation	496	496	497	501	496	514	514	514	516	510	488	489	489	492	487

Demographic Data

The table below summarizes the demographic disaggregation of students that took the SAT between 2009 and 2013.

SAT Participation by Student Identified Ethnicity, 2009 to 2013					
	2013	2012	2011	2010	2009
African American	164	144	183	123	101
Hispanic	194	141	189	132	114
Asian	73	49	42	41	34
White	265	307	321	267	248
Other or N/A	33	35	32	25	23

The table below summarizes student performance by ethnic group from 2009 to 2013.

SAT Scores by Student Identified Ethnicity, 2009 to 2013															
Campus	Critical Reading					Math					Writing				
	2013	2012	2011	2010	2009	2013	2012	2011	2010	2009	2013	2012	2011	2010	2009
African American	457	449	430	432	429	463	467	442	448	438	442	437	428	429	428
Hispanic	469	467	465	466	463	499	496	489	485	483	461	457	450	453	450
Asian	521	470	501	512	473	556	522	540	583	544	501	471	506	504	467
White	513	516	517	517	527	536	539	540	543	542	502	500	504	510	517

Historical Performance

The table below summarizes the historical performance of students on the SAT from perspective of the district, state, and national levels, including any gains or losses in performance at each level since 2009.

Comparison of SAT Performance by District, State, and National Scores 2009 to 2013									
	CRITICAL READING			MATH			WRITING		
	DIST	STATE	NAT	DIST	STATE	NAT	DIST	STATE	NAT
2009	488	484	499	506	504	514	480	473	492
2010	483	483	500	509	504	515	474	472	491
2011	482	479	497	503	502	514	472	465	489
2012	487	474	496	511	499	514	474	461	488
2013	490	477	496	509	499	514	477	461	488
Gains/Losses 2011 to Present	8.0	-2.0	-1.0	6.0	-3.0	0.0	5.0	-4.0	-1.0
Gains/Losses 2009 to Present	2.0	-7.0	-3.0	3.0	-5.0	0.0	-3.0	-12.0	-4.0

College Preference

Below are the top ten colleges and universities LCISD students chose to send their SAT scores to in 2013:

1. University of Houston – Main Campus
2. Texas A&M University – College Station
3. University of Texas at Austin
4. Texas State University – San Marcos
5. University of Texas at San Antonio
6. Baylor University
7. Sam Houston State University
8. Texas Tech University
9. Stephen F. Austin State University
10. Houston Baptist University

Resource Persons: Dr. Walter Bevers, Executive Director of Secondary Education
 Mr. Brian D. Moore, Director of Research and Accountability

INFORMATION ITEM: 2013 HIGHLY QUALIFIED TEACHER REPORT

The federal Elementary and Secondary Education Act, as reauthorized No Child Left Behind, requires schools to report the progress that districts and individual campuses are making toward meeting the target that all core academic subject teachers are highly qualified. The requirements to be 'highly qualified' are that a teacher hold at least a bachelor's degree, hold a Texas teaching certificate, and demonstrate competency in the core academic subject area they are teaching. Competency may be demonstrated by college hours, an academic major in the subject taught, an appropriate examination, or a combination of professional development and college hours.

Ninety-nine percent of LCISD teachers currently meet the NCLB standard. The following campuses, for the following reasons have a teacher who does not meet NCLB guidelines:

Open position filled by a substitute that is not highly qualified:

- Foster High School
- George Ranch High School
- Lamar Consolidated High School
- Terry High School (two positions)
- George Junior High School

Teacher has not yet met highly qualified status:

- Beasley Elementary
- George Ranch High School
- Lamar Consolidated High School

The district continues its efforts to maintain highly qualified staff. The enclosed table gives an overview of the percentage of classes taught by highly qualified teachers and professional development efforts.

Resource Persons: Dr. Walter Bevers, Executive Director of Secondary Education
Laura Lyons, Executive Director of Elementary Education
Dr. Kathleen M. Bowen, Executive Director of Human Resources
Brian Moore, Director of Research and Accountability
Megan Whitely, Director of Special Education
Midge Robertson, Special Education Coordinator
Mary Pena, Certification Specialist

	Percentage of Classes Taught by Highly Qualified Teachers Target 100%		Percentage of Teachers Receiving HQ Professional Development Target 100%	
	2013-2014	2012 - 2013	2013-2014	2012 - 2013
District	99%	99%	100%	100%
Non-Title 1 Campuses				
Foster High School	99%	100%	100%	100%
George Ranch H S	98%	95%	100%	100%
Briscoe Jr. High	100%	100%	100%	100%
Reading Jr. High	100%	98%	100%	100%
Wertheimer Middle	100%	100%	100%	100%
Austin	100%	100%	100%	100%
Campbell	100%	100%	100%	100%
Dickinson	100%	100%	100%	100%
Frost	100%	100%	100%	100%
Hubenak	100%	100%	100%	100%
Huggins	100%	100%	100%	100%
Hutchison	100%	100%	100%	100%
McNeill	100%	100%	100%	100%
Williams	100%	100%	100%	100%
Adolphus	100%		100%	
Polly Ryon	100%		100%	
Special Sites				
ALC	Not Applicable	Not Applicable	100%	100%
Community Center	Not Applicable	Not Applicable	100%	100%
Juvenile Detention Center	Not Applicable	Not Applicable	100%	100%
Title 1 Campuses				
Lamar High School	97%	100%	100%	100%
B. F. Terry High School	97%	98%	100%	100%
George Jr. High	95%	100%	100%	100%
Lamar Jr. High	100%	100%	100%	100%
Navarro Middle	100%	100%	100%	100%
Wessendorff Middle	100%	100%	100%	100%
Beasley	96%	100%	100%	100%
Bowie	100%	100%	100%	100%
Jackson	100%	100%	100%	100%
Long	100%	100%	100%	100%
Meyer	100%	100%	100%	100%
Pink	100%	100%	100%	100%
Ray	100%	100%	100%	100%
Seguin ECC	100%	100%	100%	100%
Smith	100%	100%	100%	100%
Thomas	100%	100%	100%	100%
Travis	100%	100%	100%	100%
Velasquez	100%	100%	100%	100%

INFORMATION ITEM: PARENT INVOLVEMENT

Parent Involvement

Parent Involvement Week (November 11-15) activities are planned for each campus to invite parents to visit and volunteer at their child's campus. Parent Involvement Month campus and district activities during November are posted on each individual school and PTO/PTA websites, as well as on Facebook and Twitter.

There are several district-wide activities that have been implemented. They include:

- district-wide parent programs such as Veterans' Day; additional programs are planned on each campus during the month of November based on parent interest.
- LCISD district web page—posted information on Parent Involvement activities.

Volunteers in Public Schools

The Volunteers in Public Schools (VIPS) program currently has 4,849 volunteers assisting LCISD campuses. Each campus may have a Volunteer Coordinator who implements volunteer training and oversees parental involvement activities.

Common Threads

Common Threads has assisted over 2,352 students with clothing, backpacks, shoes, and school supplies since August 14, 2013.

The winter clothing distribution began on November 12th. Students will receive long-sleeved shirts, a jacket and/or uniform coat, and pants. Underwear and socks are given out based upon availability.

Parent Liaisons

There are four Parent Liaisons working to increase parent involvement at three Title I campuses. The campuses are Ray, Travis, and Lamar HS. Terry HS and Lamar HS also have Parent Educators on site.

The Parent Liaison's role is to:

- involve and encourage parent participation in their child's education;
- provide valuable learning opportunities for parents to implement at home;
- encourage communication between parents and school personnel; and
- create parental awareness of school policies, procedures, and programs.

In addition, Parent Liaisons help implement the following campus activities:

- facilitate parent workshops and information sessions;
- help plan and implement activity nights such as math/reading/science nights and weekend projects (fun/educational craft projects for parents/child to work on at home);
- provide campus and community resources to parents via newsletters or email lists;
- translate information and assist with translating during school meetings as needed; and
- promote participation in PAC and SBMT.

Resource Persons: Jill Duban, Parent Involvement Facilitator
Mike Rockwood, Executive Director of Community Relations

**INFORMATION ITEM: TAX COLLECTION REPORT
(AS OF OCTOBER 31, 2013)**

- Exhibit "A" gives the LCISD collections made during the month of October 31, 2013
- Exhibit "B" gives the total LCISD collections made this school year from September 1, 2013 through August 31, 2014.
- Exhibit "C" shows the LCISD collections made month-by-month of the 2013-14 roll as compared to prior years. Through October 31, 2013, Lamar had collected 00.1% of the 2013-14 roll.
- Exhibit "D" shows the total collections made as compared to the amount that was budgeted for 2013-2014.
- Exhibit "E" shows the LCISD tax collection analysis for the last six years.

Resource Person: Jill Ludwig, Chief Financial Officer

**Lamar Consolidated ISD
Tax Collections
October 2013**

Exhibit A

Year	Taxes Paid	Penalty & Interest	Collection Fees	Total Payments	General Fund Taxes Paid	General Fund P & I & Collection Fees	Debt Service Taxes Paid	Debt Service P & I & Collection Fees
13	\$ 187,168.13	\$ -	\$ -	\$ 187,168.13	\$ 140,041.25	\$ -	\$ 47,126.88	\$ -
12	\$ 108,995.10	\$ 26,736.04	\$ 30,866.30	\$ 166,597.44	\$ 81,551.27	\$ 50,870.40	\$ 27,443.83	\$ 6,731.94
11	\$ 27,000.72	\$ 7,401.07	\$ 5,559.18	\$ 39,960.97	\$ 19,813.71	\$ 10,990.26	\$ 7,187.01	\$ 1,969.99
10	\$ 14,044.97	\$ 4,998.46	\$ 3,141.44	\$ 22,184.87	\$ 10,499.14	\$ 6,877.96	\$ 3,545.83	\$ 1,261.94
09	\$ 11,837.46	\$ 4,974.83	\$ 2,754.46	\$ 19,566.75	\$ 9,371.03	\$ 6,692.39	\$ 2,466.43	\$ 1,036.90
08	\$ 7,098.67	\$ 2,881.11	\$ 954.12	\$ 10,933.90	\$ 5,599.43	\$ 3,231.77	\$ 1,499.24	\$ 603.46
07	\$ 3,305.70	\$ 2,080.69	\$ 446.16	\$ 5,832.55	\$ 2,561.65	\$ 2,060.75	\$ 744.05	\$ 466.10
06	\$ 2,916.01	\$ 2,533.16	\$ 533.05	\$ 5,982.22	\$ 2,506.48	\$ 2,710.48	\$ 409.53	\$ 355.73
05	\$ 2,436.11	\$ 2,458.50	\$ 935.83	\$ 5,830.44	\$ 2,140.63	\$ 3,095.92	\$ 295.48	\$ 298.41
04	\$ 1,617.48	\$ 1,801.60	\$ 683.59	\$ 4,102.67	\$ 1,429.21	\$ 2,275.47	\$ 188.27	\$ 209.72
03	\$ 1,353.87	\$ 1,658.92	\$ 200.37	\$ 3,213.16	\$ 1,220.07	\$ 1,695.34	\$ 133.80	\$ 163.95
02	\$ 1,261.86	\$ 1,695.96	\$ 443.68	\$ 3,401.50	\$ 1,137.15	\$ 1,972.03	\$ 124.71	\$ 167.61
01	\$ 103.20	\$ 151.70	\$ 38.24	\$ 293.14	\$ 93.00	\$ 174.95	\$ 10.20	\$ 14.99
00	\$ 183.24	\$ 284.87	\$ 70.22	\$ 538.33	\$ 168.91	\$ 333.35	\$ 14.33	\$ 21.74
99	\$ 129.82	\$ 208.25	\$ 50.71	\$ 388.78	\$ 117.31	\$ 238.89	\$ 12.51	\$ 20.07
98	\$ 373.05	\$ 593.67	\$ 145.01	\$ 1,111.73	\$ 344.90	\$ 693.88	\$ 28.15	\$ 44.80
97	\$ 390.19	\$ 633.51	\$ 149.35	\$ 1,173.05	\$ 360.74	\$ 735.05	\$ 29.45	\$ 47.81
96	\$ 626.15	\$ 1,144.18	\$ 262.21	\$ 2,032.54	\$ 568.48	\$ 1,301.01	\$ 57.67	\$ 105.38
95	\$ 623.12	\$ 1,185.70	\$ 271.33	\$ 2,080.15	\$ 589.79	\$ 1,393.61	\$ 33.33	\$ 63.42
94	\$ 711.28	\$ 1,387.82	\$ 314.88	\$ 2,413.98	\$ 674.42	\$ 1,630.78	\$ 36.86	\$ 71.92
93	\$ 178.84	\$ 433.52	\$ 91.86	\$ 704.22	\$ 175.62	\$ 517.55	\$ 3.22	\$ 7.83
92	\$ 138.58	\$ 353.17	\$ 73.76	\$ 565.51	\$ 135.93	\$ 420.10	\$ 2.65	\$ 6.83
91	\$ 128.66	\$ 350.50	\$ 71.86	\$ 551.02	\$ 125.46	\$ 413.63	\$ 3.20	\$ 8.73
90	\$ 145.72	\$ 405.10	\$ 82.62	\$ 633.44	\$ 145.72	\$ 487.72	\$ -	\$ -
89 & prior	\$ 0.45	\$ 1.31	\$ 0.26	\$ 2.02	\$ 0.45	\$ 1.57	\$ -	\$ -
Totals	\$ 372,768.38	\$ 66,353.64	\$ 48,140.49	\$ 487,262.51	\$ 281,371.75	\$ 100,814.86	\$ 91,396.63	\$ 13,679.27

117

**Lamar Consolidated ISD
Tax Collections
September 1, 2013-August 31, 2014
(Year-To-Date)**

Exhibit B

Year	Original Tax	Adjustments	Adjusted Tax	Taxes Paid	Penalty & Interest	Collection Fees	Total Payments	Total Taxes 10-31-13
13	\$ 142,546,725.94	\$ 6,202,381.35	\$ 148,749,107.29	\$ 187,168.13	\$ -	\$ -	\$ 187,168.13	\$ 148,561,939.16
12	\$ 1,236,663.96	\$ (24,438.55)	\$ 1,212,225.41	\$ 241,682.60	\$ 52,263.91	\$ 61,812.23	\$ 355,758.74	\$ 970,542.81
11	\$ 546,327.21	\$ 7,991.72	\$ 554,318.93	\$ 59,252.70	\$ 15,075.40	\$ 11,836.58	\$ 86,164.68	\$ 495,066.23
10	\$ 396,600.60	\$ 8,136.36	\$ 404,736.96	\$ 25,712.53	\$ 7,564.39	\$ 4,732.77	\$ 38,009.69	\$ 379,024.43
09	\$ 326,256.10	\$ 7,960.20	\$ 334,216.30	\$ 21,550.49	\$ 7,035.30	\$ 3,898.42	\$ 32,484.21	\$ 312,665.81
08	\$ 259,568.71	\$ (1,900.46)	\$ 257,668.25	\$ 8,362.36	\$ 3,823.95	\$ 1,382.67	\$ 13,568.98	\$ 249,305.89
07	\$ 245,848.11	\$ 455.73	\$ 246,303.84	\$ 8,656.03	\$ 2,902.12	\$ 724.16	\$ 12,282.31	\$ 237,647.81
06	\$ 178,805.61	\$ -	\$ 178,805.61	\$ 11,106.91	\$ 9,982.69	\$ 3,588.38	\$ 24,677.98	\$ 167,698.70
05	\$ 191,664.56	\$ -	\$ 191,664.56	\$ 4,099.83	\$ 4,092.41	\$ 1,469.32	\$ 9,661.56	\$ 187,564.73
04	\$ 115,403.37	\$ -	\$ 115,403.37	\$ 2,812.25	\$ 3,082.44	\$ 1,102.44	\$ 6,997.13	\$ 112,591.12
03	\$ 61,574.39	\$ -	\$ 61,574.39	\$ 2,155.01	\$ 2,570.27	\$ 410.62	\$ 5,135.90	\$ 59,419.38
02	\$ 45,766.37	\$ -	\$ 45,766.37	\$ 2,265.69	\$ 2,876.22	\$ 678.16	\$ 5,820.07	\$ 43,500.68
01	\$ 39,476.19	\$ -	\$ 39,476.19	\$ 676.11	\$ 919.68	\$ 169.67	\$ 1,765.46	\$ 38,800.08
00	\$ 33,046.85	\$ -	\$ 33,046.85	\$ 759.05	\$ 1,142.33	\$ 259.16	\$ 2,160.54	\$ 32,287.80
99	\$ 35,999.90	\$ -	\$ 35,999.90	\$ 591.02	\$ 959.05	\$ 214.23	\$ 1,764.30	\$ 35,408.88
98	\$ 27,275.17	\$ -	\$ 27,275.17	\$ 775.80	\$ 1,313.22	\$ 302.07	\$ 2,391.09	\$ 26,499.37
97	\$ 23,982.78	\$ -	\$ 23,982.78	\$ 789.76	\$ 1,396.49	\$ 312.89	\$ 2,499.14	\$ 23,193.02
96	\$ 25,664.08	\$ -	\$ 25,664.08	\$ 1,198.37	\$ 2,245.04	\$ 479.57	\$ 3,922.98	\$ 24,465.71
95	\$ 25,336.11	\$ -	\$ 25,336.11	\$ 1,199.27	\$ 2,357.50	\$ 497.97	\$ 4,054.74	\$ 24,136.84
94	\$ 19,128.12	\$ -	\$ 19,128.12	\$ 1,271.97	\$ 2,593.49	\$ 544.56	\$ 4,410.02	\$ 17,856.15
93	\$ 11,038.63	\$ -	\$ 11,038.63	\$ 391.51	\$ 960.63	\$ 202.82	\$ 1,554.96	\$ 10,647.12
92	\$ 7,811.68	\$ -	\$ 7,811.68	\$ 322.34	\$ 830.94	\$ 172.99	\$ 1,326.27	\$ 7,489.34
91 & prior	\$ 17,743.56	\$ -	\$ 17,743.56	\$ 423.28	\$ 1,182.62	\$ 240.87	\$ 1,846.77	\$ 17,320.28
Totals	\$146,417,708.00	\$6,200,586.35	\$152,618,294.35	\$ 583,223.01	\$127,170.09	\$95,032.55	\$805,425.65	\$152,035,071.34

**LAMAR CONSOLIDATED INDEPENDENT SCHOOL DISTRICT
TAX COLLECTION ANALYSIS
PERCENT Y-T-D BY MONTH
FOR CURRENT LEVY ONLY**

MONTH	2013-2014	2012-13	2011-12	2010-11	2009-10	2008-09	2007-08	2006-07	2005-06	2004-05	2003-04
SEPT	0.0%	0.0%	0.0%	0.0%	0.0%	0.0%	0.0%	0.0%	0.0%	0.0%	0.0%
OCT	0.1%	0.0%	0.0%	0.0%	0.0%	0.0%	0.0%	0.0%	0.0%	0.0%	0.01%
NOV		1.9%	2.6%	3.9%	1.9%	1.7%	2.8%	2.1%	1.0%	3.3%	4.0%
DEC		33.1%	30.2%	33.3%	25.9%	35.4%	31.9%	29.7%	32.7%	16.8%	20.7%
JAN		82.9%	82.3%	84.1%	80.7%	80.4%	59.6%	76.4%	73.6%	74.9%	69.0%
FEB		95.5%	94.8%	94.3%	93.3%	92.8%	93.5%	93.3%	92.5%	92.3%	92.4%
MAR		96.8%	96.4%	96.1%	95.0%	94.8%	95.1%	94.7%	94.3%	93.8%	94.0%
APR		97.6%	97.1%	96.9%	96.0%	95.6%	95.9%	95.8%	95.2%	94.8%	94.9%
MAY		98.1%	97.9%	97.6%	96.5%	96.4%	96.7%	96.5%	96.1%	95.5%	95.5%
JUNE		98.6%	98.3%	98.2%	97.4%	97.2%	97.4%	97.3%	96.8%	96.4%	96.2%
JULY		99.0%	98.7%	98.6%	98.0%	97.9%	98.0%	97.8%	97.4%	97.1%	97.0%
AUG		99.1%	98.9%	98.8%	98.2%	98.2%	98.2%	98.2%	97.8%	97.5%	97.3%

**LAMAR CONSOLIDATED INDEPENDENT SCHOOL DISTRICT
2012-13 TAX COLLECTIONS
AS OF OCTOBER 31, 2013**

TAX YEAR LCISD TAXES	SCHOOL YEAR	BUDGET AMOUNT	COLLECTIONS 10-31-13	% OF BUDGET COLLECTED
2013	2013-14	\$145,701,377	\$187,168	0.13%
2012 & Prior	2012-13 & Prior	\$2,150,000	\$396,055	18.42%
TOTAL		\$147,851,377	\$583,223	0.39%

**LAMAR CONSOLIDATED INDEPENDENT SCHOOL DISTRICT
TAX COLLECTION REPORT
AS OF OCTOBER 31, 2013**

Exhibit E

SCHOOL YEAR TAX YEAR	2008-09 2008	2009-10 2009	2010-11 2010	2011-12 2011	2012-13 2012	2013-14 2013
COLLECTION YEAR						
1 Orig. Levy	\$ 126,505,684	\$ 127,458,872	129,215,668	132,226,943	136,145,655	142,546,726
1 Collections	\$ 123,171,452	\$ 128,154,416	132,086,020	136,117,707	140,561,034	187,168
Adj. To Roll	\$ (1,054,535)	\$ 2,995,248	4,579,622	5,417,190	5,652,043	6,202,381
2 Collections	\$ 1,484,532	\$ 1,349,141	1,050,557	915,762	241,683	
Adj. To Roll	\$ (65,264)	\$ (117,676)	53,764	(64,337)	(24,439)	
3 Collections	\$ 248,471	\$ 368,541	329,317	59,253		
Adj. To Roll	\$ 96	\$ 67,079	13,438	7,992		
4 Collections	\$ 223,830	177,479	25,712			
Adj. To Roll	\$ 102,644	(27,690)	8,137			
5 Collections	129,732	\$ 21,551				
Adj. To Roll	28,960	\$ 7,960				
6 Collections	\$ 8,362					
Adj. To Roll	\$ (1,900)					
TOTAL:						
COLLECTIONS	\$ 125,266,379	\$ 130,071,128	\$ 133,491,605	\$ 137,092,722	\$ 140,802,717	\$ 187,168
ADJUSTED TAX ROLL	\$ 125,515,685	\$ 130,383,794	\$ 133,870,629	\$ 137,587,788	\$ 141,773,260	\$ 148,749,107
BALANCE TO BE COLLECTED	\$ 249,306	\$ 312,666	\$ 379,024	\$ 495,066	\$ 970,543	\$ 148,561,939
ADJ. TAXABLE VALUE	\$ 9,672,537,646	\$ 10,047,685,720	\$ 9,810,606,384	\$ 9,898,045,951	\$ 10,199,148,210	\$ 10,700,989,697
TOTAL % COLLECTIONS AS OF OCTOBER 31, 2013	99.8%	99.8%	99.7%	99.6%	99.3%	0.1%
TAX RATE	\$ 1.29765	\$ 1.29765	1.36455	1.39005	1.39005	1.39005

INFORMATION ITEM: PAYMENTS FOR CONSTRUCTION PROJECTS

Below is a list of invoices that have been approved for payment.

Bass Construction (Lamar HS Baseball/Softball Complex)	Application # 4	\$	491,628.88
Bass Construction (Lamar HS Baseball/Softball Complex)	Application # 5	\$	757,882.83
Drymalla Construction (Adolphus Elem #22)	Application # 18	\$	27,156.70
Drymalla Construction (Polly Ryon Middle)	Application # 18	\$	1,981.70
Durotech (2013 Misc. Renovations)	Application # 6	\$	476,646.42
Engineered Air Balance (Jackson Elementary)	Application # 1	\$	2,227.50
Engineered Air Balance (Terry High)	Application # 2	\$	9,860.00
Environmental Solutions (George Jr. High)	Application # 1	\$	6,425.00
Environmental Solutions (Terry High)	Application # 1	\$	5,429.00
Fieldturf USA (Traylor Stadium Track & Turf)	Application # 3	\$	136,427.53
Fieldturf USA (Traylor Stadium Track & Turf)	Application # 4	\$	4,368.11
Micro Integration (Ag Barn)	Application # 1	\$	7,872.80
PBK Architects – 2006 Bond (Adolphus Elementary – Reimbursables)	Application # 15	\$	775.00

PBK Architects (Adolphus Elementary)	Application # 16	\$	2,790.88
PBK Architects – 2006 Bond (Polly Ryon Middle – Reimbursables)	Application # 14	\$	775.00
PBK Architects (Natatorium #2)	Application # 9	\$	34,500.00
PBK Architects (Polly Ryon Middle)	Application # 16	\$	4,627.25
PBK Architects (Traylor Stadium Track & Turf)	Application # 6	\$	1,757.60
VLK Architects (Misc. Renovations 2013)	Application # 4	\$	43,963.25

Resource person: Kevin McKeever, Administrator for Operations

INFORMATION ITEM: REGION 4 – MAINTENANCE & OPERATIONS

This agenda item will be on the Board Agenda each month to provide updates on Region 4's progress with Maintenance and Operations. The following indicates action that has taken place since the last regular board meeting.

Work Request Summary for September 2013:

- The Department completed 1555 requests with 17 new requests
- 56 were closed

Maintenance:

The Maintenance Department assisted by:

- Installing a new light fixture lens cover in a room at the Maintenance Center
- Installing a new door and frame in a small hallway at Brazos Crossing
- Assembling a computer desk and chair for the principal at Lamar High
- Installing a white board in a classroom at Lamar High
- Mounting vices on work benches in a classroom at Lamar High Vocational
- Repainting four squares and the basketball court lines in the playground area at Dickinson Elementary
- Replacing an exit light in a portable at Taylor Ray Elementary
- Installing a new center push bar on a water fountain at Jackson Elementary
- Replacing the small flood lamps in a room at 1621 Place
- Changing ceiling grid and tiles at 1621 Place
- Repairing the women's restroom door at the Transportation Center
- Repairing a wooden chair at Reading Junior High
- Repairing the sheetrock above an air handler at Taylor Ray Elementary
- Replacing two stall latches in a restroom at Williams Elementary
- Hanging a banner in the gym at Jane Long Elementary
- Mounting shelves on a wall at Special Needs Center
- Relocating a backpack rack at Jane Long Elementary
- Repairing a window at Special Needs Center
- Mounting a TV bracket in a dressing room at Foster High
- Repairing a latch on a handicap stall in a restroom at Thomas Elementary
- Hanging posters on the wall by the stage at Bowie Elementary
- Installing a door sweep in a classroom at Bowie Elementary
- Touching up a wall in a classroom at Austin Elementary
- Replacing two paper towel and two soap dispensers in a restroom at Lamar High
- Adjusting a door stop on a door exiting the cafeteria at Beasley Elementary
- Re-gluing the cove base in the cafeteria at Beasley Elementary
- Repairing a crack in front of the doorway at Jane Long Elementary
- Assembling four metal cabinets for Special Needs Center

- Assembling three wooden shelves at Hubenak Elementary
- Repairing a cabinet end cap in the clinic area at Hubenak Elementary
- Replacing a circulating pump at Reading Junior High
- Repairing a boiler at Foster High Field House
- Repairing the high ceiling light fixtures at McNeill Elementary
- Repairing the pole lights at George Junior High
- Repairing the scoreboard controller at George Junior High
- Repairing the basketball backboard winch system at Foster High
- Replacing the fire alarm system back-up batteries at Foster High
- Replacing the fire alarm system back-up batteries at Meyer Elementary
- Repairing a broken window at Lamar High
- Repairing a dish machine in the kitchen at Reading Junior High
- Replacing a hose bib in the kitchen at Velazquez Elementary
- Repairing the pole lights at McNeill Elementary
- Repairing the milk box in the kitchen at Bowie Elementary
- Replacing a call button on the intercom system at Campbell Elementary
- Reprogramming the intercom bell system at Taylor Ray Elementary
- Replacing a horn strobe at Thomas Elementary
- Replacing a fire alarm system pull station at Hubenak Elementary
- Hanging a dry erase board in the girls' locker room at George Ranch High
- Caulking the threshold in the entrance way at Reading Junior High
- Replacing two bulbs in a street light fixture at Reading Junior High
- Hanging a white board in a classroom at Reading Junior High
- Installing three soap dispensers in the restrooms at Reading Junior High
- Installing a door latch on a stall in a restroom at Meyer Elementary
- Assembling five metal shelving units for Smith Elementary
- Repairing a desk drawer in the front office area at Smith Elementary
- Replacing four bulbs in the main hallway by the gym at Briscoe Junior High
- Washing the front of the building at Briscoe Junior High
- Installing a new toilet seat in a restroom at Briscoe Junior High
- Re-installing the handrail by the locker rooms at Lamar Junior High
- Repairing the marquee frame at Lamar Junior High
- Installing a chair rail in the office at the Transportation Satellite Center
- Replacing ceiling tiles throughout at Brazos Crossing
- Mounting four letter trays in the front office area at Adolphus Elementary
- Assembling a table in the front office area at Adolphus Elementary
- Replacing several broken floor tiles in the cafeteria at Navarro Middle
- Bolting the planer to the floor in a classroom George Junior High
- Replacing broken bleacher boards at George Junior High football field
- Reinstalling a motor on a table saw at George Junior High
- Cleaning out the gutters on a portable at Smith Elementary
- Mounting a new sign on a pole at the Transportation Center
- Replacing a light fixture frame at Campbell Elementary

Custodial, Integrated Pest Control and Lawn Works:

The Operations Department assisted by:

- Replacing lamps throughout at Campbell Elementary
- Cleaning the front windows at Wessendorff Middle
- Setting up the gym for an outdoor program at Wessendorff Middle
- Cleaning up a spill in the boys locker room at Wessendorff Middle
- Removing trash from the grounds area at Wessendorff Middle
- Cleaning up vomit in the gym at Wessendorff Middle
- Moving a file cabinet at Pink Elementary
- Cleaning the service yard at Pink Elementary
- Chasing a stray dog away from the campus at Meyer Elementary
- Repairing a table leg in the kinder area at Meyer Elementary
- Removing trash from the grounds area at Meyer Elementary
- Cleaning the front entry windows at Jackson Elementary
- Adding items to the marquee at Jackson Elementary
- Cleaning the vents in all hallways at Jackson Elementary
- Replacing lamps throughout the school at Seguin Early Childhood Center
- Opening the gyms for college night at Terry High
- Cleaning the cafeteria after the Homecoming dance at Terry High
- Cleaning a spill in the library at Hutchison Elementary
- Opening several classroom doors for substitutes at Hutchison Elementary
- Cleaning the outside windows at Hutchison Elementary
- Removing a desk from a classroom at Seguin Early Childhood Center
- Removing boxes from the music room at Seguin Early Childhood Center
- Delivering boxes of copy paper to office at Seguin Early Childhood Center
- Setting up chairs in the gym for a Head Start program at Seguin Early Childhood Center
- Setting up tables in the library for a meeting at Campbell Elementary
- Vacuuming all entry mats at Campbell Elementary
- Removing trash from the grounds area at Wessendorff Middle
- Adding paper to the workrooms at Wessendorff Middle
- Unclogging a commode in a restroom at Wessendorff Middle
- Cleaning the front office windows at Wessendorff Middle
- Removing blood from the library floor at Taylor Ray Elementary
- Cleaning urine in the girls restroom at Taylor Ray Elementary
- Organizing the supplies in the custodial closet at Taylor Ray Elementary
- Mopping and using the micromatic on all hallways at Jackson Elementary
- Cleaning the front entry windows at Jackson Elementary
- Removing trash from the grounds area at Meyer Elementary
- Setting up the board room for the general staff meeting at Brazos Crossing
- Cleaning the front entry windows at Hutchison Elementary
- Cleaning a water spill in a restroom at Hutchison Elementary
- Delivering tables to Hutchison Elementary

- Cleaning up food in the hallway at Hutchison Elementary
- Removing trash from the outside trash cans at Hutchison Elementary
- Setting up tables in the cafeteria for a college visit at Terry High
- Opening up the school for church services at Terry High
- Sweeping the bus porch area at Travis Elementary
- Removing trash from the grounds area at Travis Elementary
- Cleaning urine off the floor in the boys restroom at Taylor Ray Elementary
- Cleaning up vomit in a classroom at Taylor Ray Elementary
- Cleaning up blood from the floor in a classroom at Taylor Ray Elementary
- Replacing lights in the office area at Jackson Elementary
- Working the Monster Mash at Dickinson Elementary
- Cleaning the front entry windows at Jackson Elementary
- Cleaning the a/c vents in all the hallways at Jackson Elementary
- Replacing lights in the front entry at Jackson Elementary
- Cleaning the walls in the cafeteria at Jackson Elementary
- Mowing district-wide
- Repairing irrigation leaks at Brazos Crossing
- Delivering risers to Thomas Elementary
- Setting/cleaning up at Traylor Stadium
- Delivering tables and chairs to Foster High
- Repairing a water leak at George Ranch High
- Painting football lines at all high schools
- Trimming trees at Lamar High to remove them from the power lines
- Delivering tables to Dickinson, Beasley, Adolphus, and Austin
- Scheduling Gillen's Pest Control services district-wide
- Providing ant control at Frost, Pink, and Dickinson
- Providing rodent control at Maintenance, Powell Point, Travis, Beasley, George Junior High, Bowie, Terry High, Wessendorff Middle, and Meyer
- Removing wasps at Travis Elementary and Polly Ryon Middle
- Sending personnel to obtain continuing education credits for pest control

Resources: Kevin McKeever, Administrator for Operations
 Aaron Morgan, Interim Director of Maintenance & Operations (Region 4)
 Jeff Kimble, Assistant Director of Operations
 James Carrillo, Assistant Director (Region 4)

November 2013

2006 Bond Program Projects

Transportation Satellite Facility

- Projected close out for the Satellite Transportation is December 2013.

Lamar High School Baseball/Softball Complex



Lamar HS Baseball/Softball



Lamar HS Baseball/Softball

- Storm line is complete along Mustang Ave. from Herndon to the west side of project.
- Project meeting is scheduled for November 20, 2013.
- Irrigation line installation is complete in baseball and softball field.
- Color selections for the buildings are complete.
- Water tap for the field and site water meter is complete.
- CMU installation and waterproofing are complete at the field house.
- CMU installation is completed at the storage building.
- CMU installation is completed at the ticket booth.
- Split face brick work at the field house, ticket booth and concession building is ongoing.
- Rough-in for plumbing at the field house is complete.
- Baseball and softball perimeter fence supports are in place.
- Installation of roof trusses for field house is complete.
- Metal roof sheathing is installed at the field house.
- Roof trusses and sheathing installation has started at the ticket booth and storage building.
- Footings for bleachers have been drilled and poured.
- Mow strips on the east and west side are complete.
- Grass is installed at the baseball and softball fields.
- Dugout roof handrail supports are in place.
- Pitcher's mound in the bull pen area is complete.
- CenterPoint terms and conditions have been received and will be presented for approval at November Board meeting.

2011 Bond Program Projects

Agricultural Barn Renovations

- Project is substantially complete.

George Ranch High School Build-Out

- Project is complete.

High School and Junior High School #5

- Preliminary meetings are being held with the City of Fulshear to discuss design and construction of the new High School #5 complex.
- Programming meetings have been held with both Junior High and High School principals to discuss needs for the future campuses.
- A design committee is being formed with input from secondary school Principals, Secondary Education Department, Community Relations and various departmental Directors.
- An RFP for a Construction Manager at Risk has been advertised and proposals will be taken December 5, 2013.

Judge James C. Adolphus Elementary

- Contractor is completing final punch list items.
- Warranty items are being addressed by the contractor.

Misc. Renovations - Terry HS, Lamar HS, George JHS, Jackson ES & Bowie ES



Terry High School:

- Tennis courts play surface is complete. Windscreens are being installed.
- Additional cameras are being installed outside the art rooms.

Jackson Elementary:

- Project is complete.

George Junior High:

- Additional cameras are being installed in classroom corridors.

Bowie Elementary:

- Project is complete.

Lamar High School:

- Project is complete.



New Natatorium

- Bid openings for General Contractor selection occurred on September 26, 2013.
- Gamma was recommended as General Contractor at the October Board meeting and approved.

Polly Ryon Middle School

- Project is complete.
- Projected closeout is November 2013.

Traylor Stadium Renovations

- Bid openings for General Contractor occurred on September 26, 2013.
- PBK, Gilbane, and LCISD continue discussions regarding the proposal submitted from Gamma related to the scope of the project and scheduling construction time frame.

Track & Turf

- Punch list for track, turf and sound system is being generated by PBK.

Bond Program Budget

EXECUTIVE REPORT					
	ORIGINAL BUDGET	NEW BUDGET	COMMITTED	UNCOMMITTED	PAID
NEW FACILITIES	\$51,095,099	\$55,939,409	\$32,089,618	\$23,849,792	\$28,127,742
LAND	2,700,000	2,700,000	11,200	2,688,800	11,200
TECHNOLOGY	21,168,000	21,168,000	0	21,168,000	0
TRANSPORTATION	6,100,779	6,100,779	5,263,874	836,905	5,263,874
EXISTING FACILITIES	23,791,755	23,791,755	10,280,768	13,510,988	8,974,551
MISCELLANEOUS	5,144,367	300,057	0	300,057	0
TOTAL	\$110,000,000	\$110,000,000	\$47,645,459	\$62,354,541	\$ 42,377,367

INFORMATION ITEM: CONTRACT FOR MAIL PROCESSING SYSTEM EQUIPMENT

The District is currently leasing mail processing system equipment from Pitney Bowes, and the contract expires on December 31, 2013. In an effort to improve efficiency, District staff has performed an analysis of service requirements and options available. Utilizing the Texas State TPASS RFP #985-L1, LCISD selected NeoPost USA, Inc. as the future service provider with implementation no later than January 1, 2014.

The proposal includes the following:

- Equipment and software lease of a Mail System
- Equipment and software lease of a Folder/Inserter System
- Equipment and software lease of an Addressing System
- Equipment lease of a Tabbing System
- Maintenance Agreement, Training, and Installation

The selection of NeoPost USA, Inc. will provide efficiencies in service and long term cost savings. A direct service representative will be assigned to our account, and will provide specialized training. Long term machine operation and maintenance costs will reduce as supplies are included in the agreement and parts are widely available. NeoPost USA, Inc. will provide a monthly lease arrangement for all mail processing equipment, software, services and training in the amount not to exceed \$209,905 for a 60-month term as follows:

- Monthly lease payment: \$3,498.42
- Annual amount: \$41,981.04
- 2013-2014 approved budget: \$43,637.00

Resource persons: Mike Rockwood, Executive Director of Community Relations
Jill Ludwig, Chief Financial Officer
Robin Sheehan, Purchasing & Materials Manager